



Series 98FG Insulated Non-Corrosion Heavy-Duty Door System

| | |
|---------------------------|---|
| SIZES | 2/0 x 6/8 2/6 x 6/8 2/8 x 6/8 3/0 x 6/8 3/6 x 6/8 3/8 x 6/8 4/0 x 6/8 2/8 x 7/0 3/0 x 7/0 3/6 x 7/0 4/0 x 7/0 Dbl. 5/4 x 6/8 6/0 x 6/8 6/0 x 7/0 7/0 x 6/8 7/0 x 7/0 7/4 x 6/8 8/0 x 6/8 8/0 x 7/0 |
| OVERALL DIMENSIONS | 3068: 39-3/4" x 82-5/8" (recommended rough opening 40-1/4 x 83") Special Sizes Available |
| HINGES | (3) 6" stainless steel strap hinges <u>or</u> (3) 4-1/2" X 4 1/2" stainless steel butt (NRP) hinges are available. |
| THRESHOLD | Thermally broken, aluminum is available when using butt hinges. Standard handicapped approved. |
| BOTTOM SEALS | (Optional) Heavy duty used without thresholds; Aluminum holder with Alcryn PVC sweep with threshold. |
| HARDWARE | Heavy duty Sure-Latch, Standard Sure-Latch, Advantage Locksets, or Whitcomb "D" handle barn latch style. |

DOOR PANEL

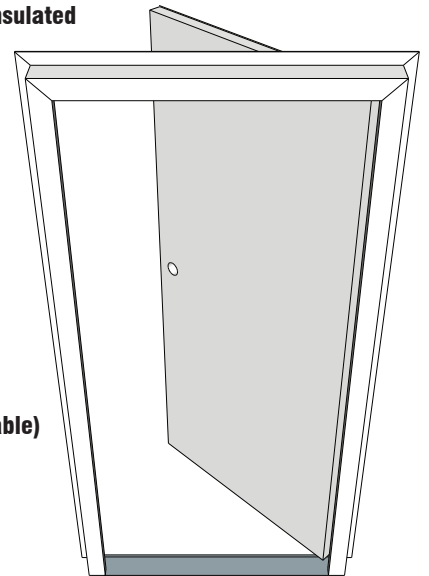
| | |
|------------------------|---|
| THICKNESS | 1-29/32" (1.91") - Fiberglass Picture Frame Standard, Stainless Steel Picture Frame (SSPF) optional. |
| COLORS | Polar White |
| SKIN | 1/8" pebbled fiberglass (.12" thickness) - UV Resistive available as an option on 3/0 x 6/8 & 3/0 x 7/0 only. |
| BLOCKING | S - Strap hinges-shurlatch blocking; B - Butt hinges-blocking and drilled for lockset; Dead bolt-blocked and prepped OPTIONAL . Closer blocking is OPTIONAL |
| INSULATION | Polyurethane Foam filled |
| R-VALUE - Panel | R-13 |
| LOCK FACE PREP | STD with lockset bore at 2-1/8" and backset of 2-3/4" |
| DEAD BOLT | Dead bolt hardware blocking is optional. |
| SWEEP | Bulb and fin sweep with aluminum holder (used with threshold), or heavy duty synthetic rubber sweep (without threshold) |
| LITE KITS | 1-LE-2 16 x 16 (no grids) insulated 1-LT-2 7 x 30 (no grids) insulated 1-LH-2 20 x 24 Single Pane 1-LB-2 22 x 36 (no grids) insulated - see Plyco Lite kit page 1-LI-2 20 x 24 (no grids) insulated 9-LB-2 22 x 36 (with grids) insulated |

JAMB

| | |
|----------------------------|--|
| TYPE | Pre-hung |
| MATERIAL | Pultruded Fiberglass |
| FEATURES | Nailing flange and kerf weather seals with 300 series SS fasteners |
| TRIM KIT | Optional 3x3 or 3x4 angle surround. |
| HINGE REINFORCEMENT | Solid wood 2x2 blocking. |
| THERMAL BREAK | Fiberglass throughout |

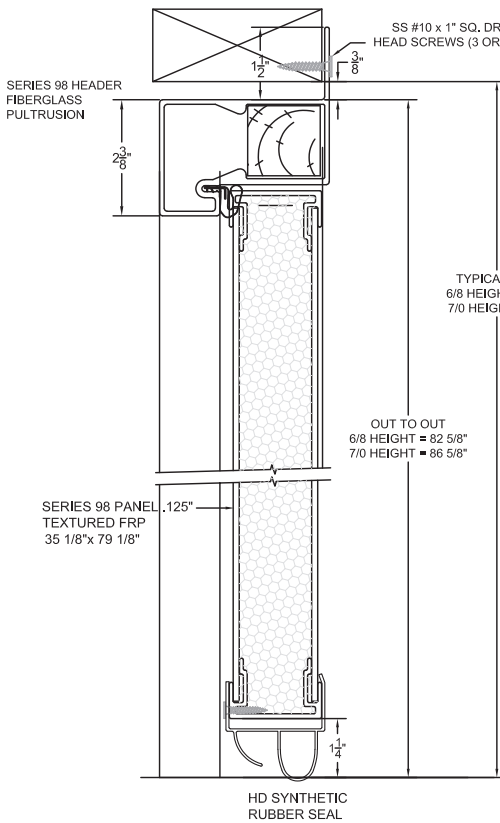
STANDARD SIZES • 3'0" x 6'8" ROUGH OPNG. 40-1/4" x 83-1/16" (Special sizes available)

| | | | |
|---------------|--------------------|---------------|-----------------------------------|
| • 2'0" x 6'8" | R.O. 28-1/4" x 83" | • 2'8" x 7'0" | R.O. 36-1/4" x 87" (w/butt hinge) |
| • 2'6" x 6'8" | R.O. 24-1/4" x 83" | • 3'0" x 7'0" | R.O. 40-1/4" x 87" " |
| • 2'8" x 6'8" | R.O. 36-1/4" x 83" | • 3'6" x 7'0" | R.O. 46-1/4" x 87" " |
| • 3'6" x 6'8" | R.O. 46-1/4" x 83" | • 4'0" x 7'0" | R.O. 52-1/4" x 87" " |
| • 3'8" x 6'8" | R.O. 48-1/4" x 83" | • 6'0" x 6'8" | R.O. 76-1/2" x 83" " |
| • 4'0" x 6'8" | R.O. 52-1/4" x 83" | • 6'0" x 7'0" | R.O. 76-1/2" x 87" " |



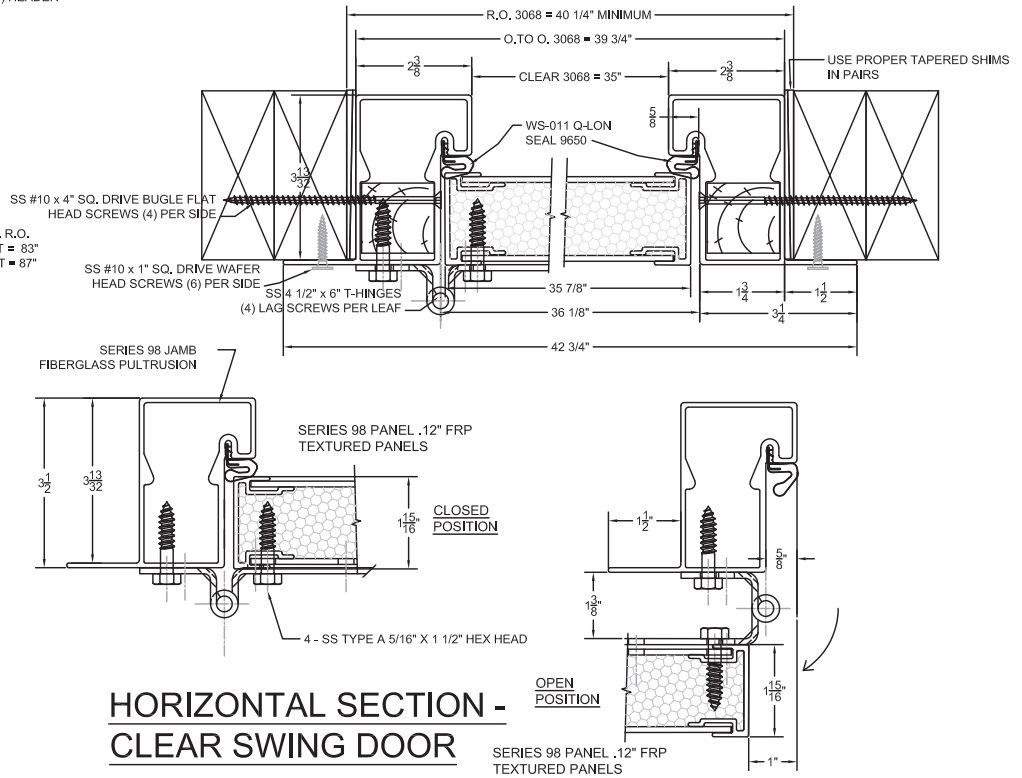
Series 98FG Insulated Non-Corrosion Heavy-Duty Door System

Series 98 S Door Frame Details / T-Hinge

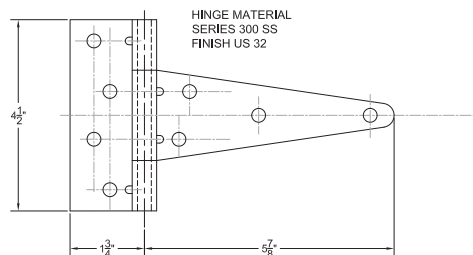
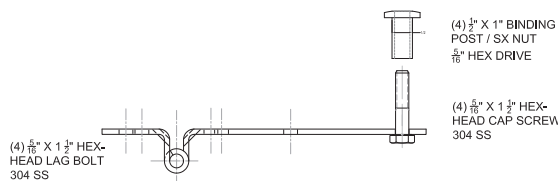


VERTICAL SECTION - OUT / IN SWING DOOR

SHOWN ABOVE WITH OPTIONAL HD SWEEP



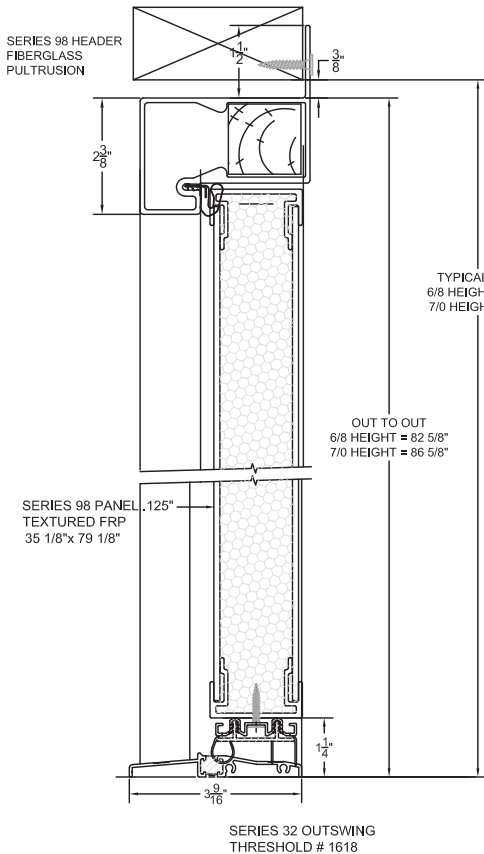
HORIZONTAL SECTION - CLEAR SWING DOOR



HINGE DETAIL - STANDARD 4 1/2" X 6" SS T-HINGE

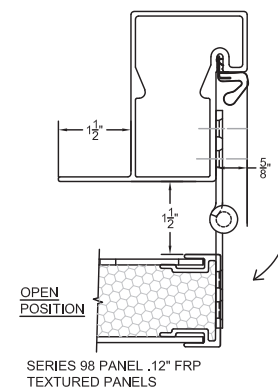
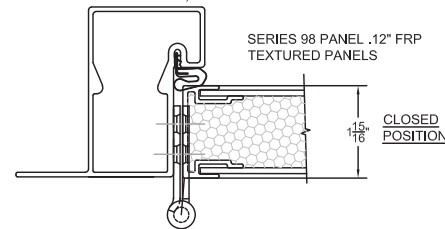
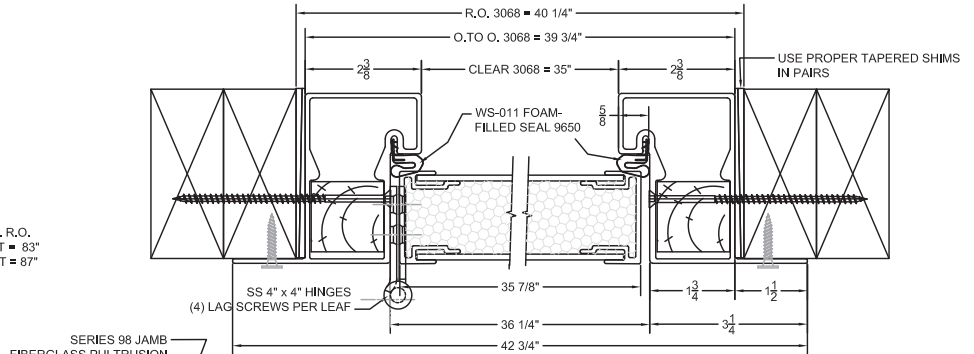
Series 98FG Insulated Non-Corrosion Heavy-Duty Door System

Series 98 B Door Frame Details / Butt Hinge

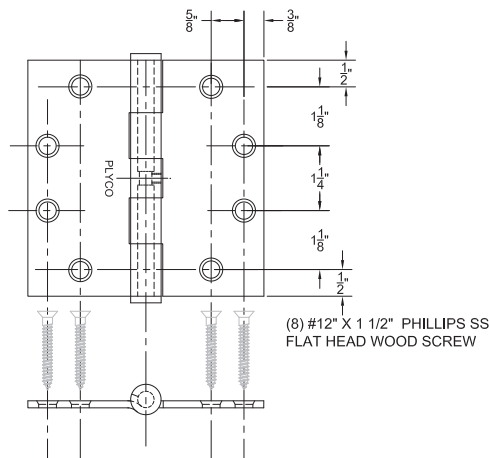


**VERTICAL SECTION -
OUT/IN SWING DOOR**

SHOWN ABOVE WITH
OPTIONAL THRESHOLD



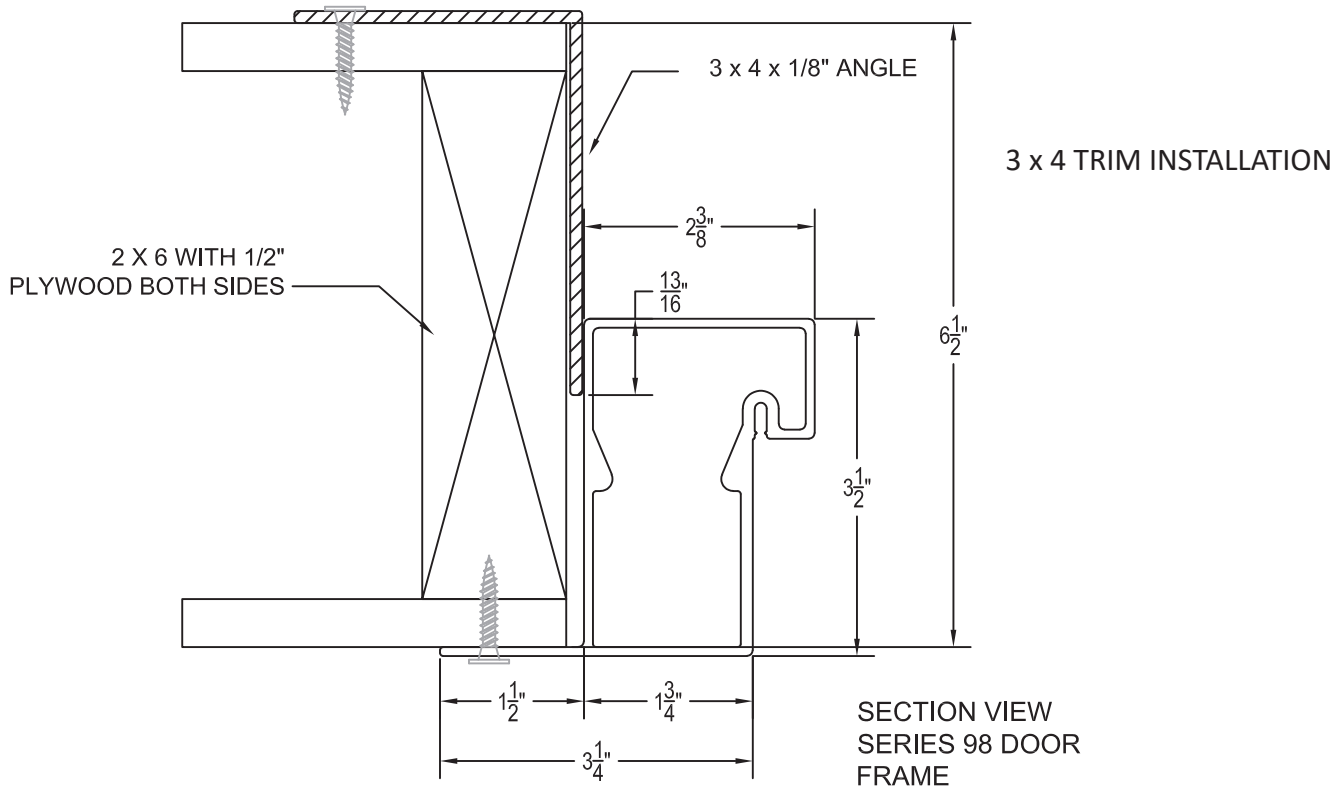
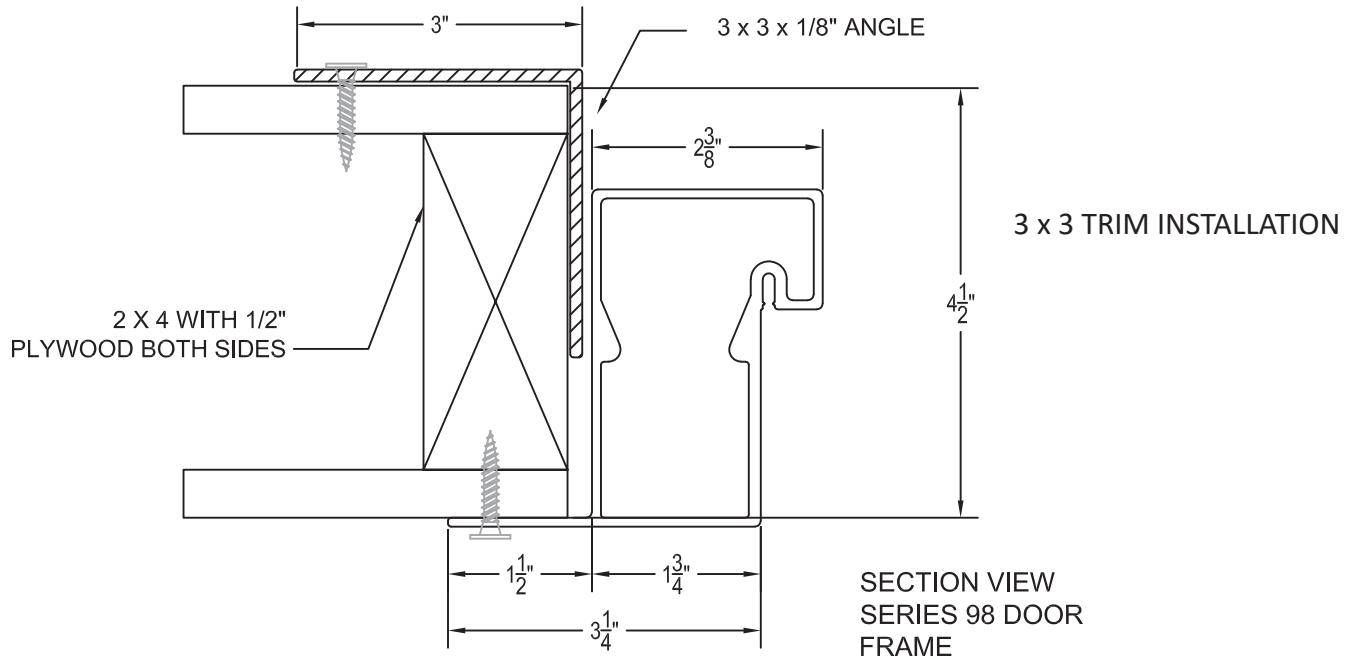
**HORIZONTAL SECTION -
CLEAR SWING DOOR**



**HINGE DETAIL - 4 1/2" X 4 1/2"
PLAIN BEARING HINGE**

Series 98FG Insulated Non-Corrosion Heavy-Duty Door System Trim Option

Series 98 Door Trim Detail



Series 98FG Insulated Non-Corrosion Heavy-Duty Door System Trim Option

Series 98 Door 3068 View

