



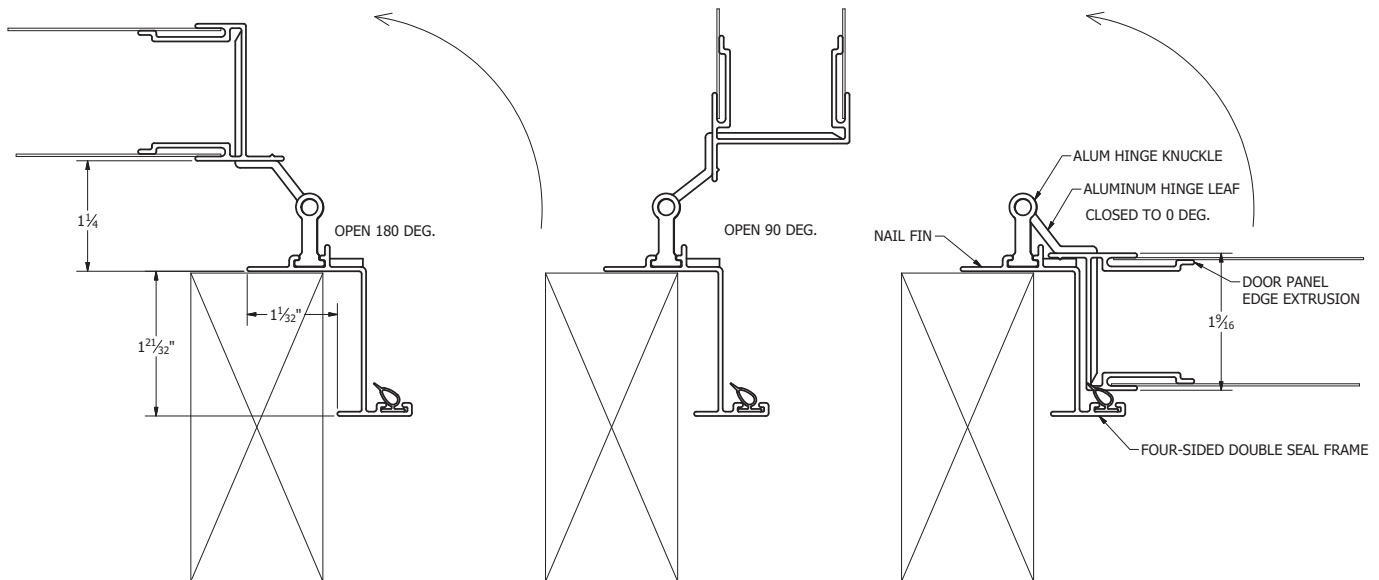
Series 66D

DATA SHEETS

INSULATED WALK DOOR, PRE-HUNG WITH HEADER AND THRESHOLD WITH DUAL-SEAL FRAME
PRE-HUNG 4 WAY UNIVERSAL IS STANDARD

Physical Characteristics

- SIZES -** **Single Doors:** Nominal width for single doors is limited to 4' (4/0), nominal height is limited to 7' (7/0). Doors can be made in any size within these limitations.
- Double Doors:** Double doors are Not Recommended in this door series.
- COLORS -** Mill-finish jamb and panel perimeter with Polar White embossed skin.
- JAMB -** 1-11/16" "L" type, mill-finish, aluminum jamb with nailing fin all four sides. with corner reinforcements. Header and threshold are formed with jamb material and has one vinyl bulb seal and one foam tape seal Jamb is available in mill-finish only.
- HINGES -** 4" extruded aluminum offset hinges are standard. Two hinges per panel if less than 5/0 ht. Three hinges if 5/0 ht. and above.
- DOOR PANEL -** Aluminum frame surrounds the panel and captures the embossed steel skin. 1-9/16" panel has a polyurethane injected foam core (R-9.5). Standard comes bored for lockset 2 1/8" diam. at 2-3/4" setback with rectangular 1" x 2 1/4" latch edge prep.
- BLOCKING -** Blocked and drilled for one lockset standard. Closer blocking is optional. When deadbolt is ordered, door is blocked and prepped for deadbolt. Doors can be blocked for future deadbolt bore at an extra charge.
- SKIN TYPE -** 30 gauge embossed Polar White steel with pebble texture is standard. Optional skins available: .06" pebbled white fiberglass; .019" pebble embossed white aluminum.
- THRESHOLD -** 1-11/16" "L" type, mill-finish thresholds are used with this door series. Standard is not handicapped approved.
- LITE KITS -** Lites often requested are: 1 LA 20x24 sgl. pane 1 LU 4x 48 sgl. pane 1LI 20 x 24 dbl. pane.
Additional limited lite kits are available, see the accessory pages for other lite sizes.



Due to Plyco Corporation's ongoing commitment to product improvement, we reserve the right to change without notice, product specifications and availability.