



Technical Information

Series 20 Insulated Doors

Description

The Plyco 20 Series pre-hung door with steel jambs and steel door - insulated with R-13 polyurethane foam.

Physical Characteristics

SIZES - Single Doors: Widths are 2' 6" (26), 2' 8" (28), 3' 0" (30), 3' 6" (36), 4' 0" (40). Available in heights 6' 8" (68) and 7' 0" (70).

Special sizes are not available. Call size example: 3068 = 3/0 x 6/8 nominal size, 39 7/8" x 81 3/8" actual out to out frame size.

Double Doors: Double door has a handed astragal attached to inactive panel, has head and foot flushbolts concealed in astragal.

Double doors are handed. Right side active panel is standard, may request left side active. Double door includes a full header.

COLORS - Polar White, Bronze, Chocolate, Black, and Hickory Moss. All standard sizes are available in all five colors.

JAMB - PRE-HUNG: 3-1/2" 16 ga. galv. steel pre-painted finish. Includes large foam-filled jamb seals. Optional injected polyurethane foam.

MOUNTING FASTENERS: Included in package, wood fasteners standard. Steel frame or masonry opening fasteners available.

HINGES - (3) 4" x 4" stainless steel NRP non-template - three hinges per panel. Ball-bearing hinges are an available option.

THRESHOLD - Aluminum, universal painted - Optional mill finish ADA threshold. Dedicated in-swing and dedicated out-swing are available.

DOOR PANEL - 1-3/4" smooth 24 ga. galvanized steel skin with durable Alcryn sweep. Rolled edge, steel wrapped on all four edges and interlocked (Patented). Six-panel and Cross-buck embossed available in the 3068 size only. Several blocking options available.

BLOCKING: HDPE poly lock reinforcing structure, optional heavy duty internal steel closer blocking and panic exit bar blocking.

INSULATED: Core is solid polyurethane injected 2.2 pcf foam. Foam R-Value of R-13. No GWP, VOC exempt, zero ODP.

LOCK FACE PREP: Standard with 2-1/8" diameter lockset bore, backset of 2-3/4" - non bore optional.

DEAD BOLT: Blocking is standard, edge bore is standard, face bore is optional. May be bored in the factory or in the field.

INSULATED LITE KITS - 1 LB-2	22 x 36	no grids	1 LN-2	10 x 10	no grids
9 LB-2	22 x 36	9 lite grids	1 LT-2	7 x 36	no grids
1 LL -2	22 x 60	no grids	1 LC-2	7 x 60	no grids
15 L-2	22 x 60	15 lite grids	1 LK-2	30x36	12 lite grids used with 4068/4070
1 LI-2	20 x 24	no grids	1 VH-2	22 x 36	Vertical hung with screen openable lite kit

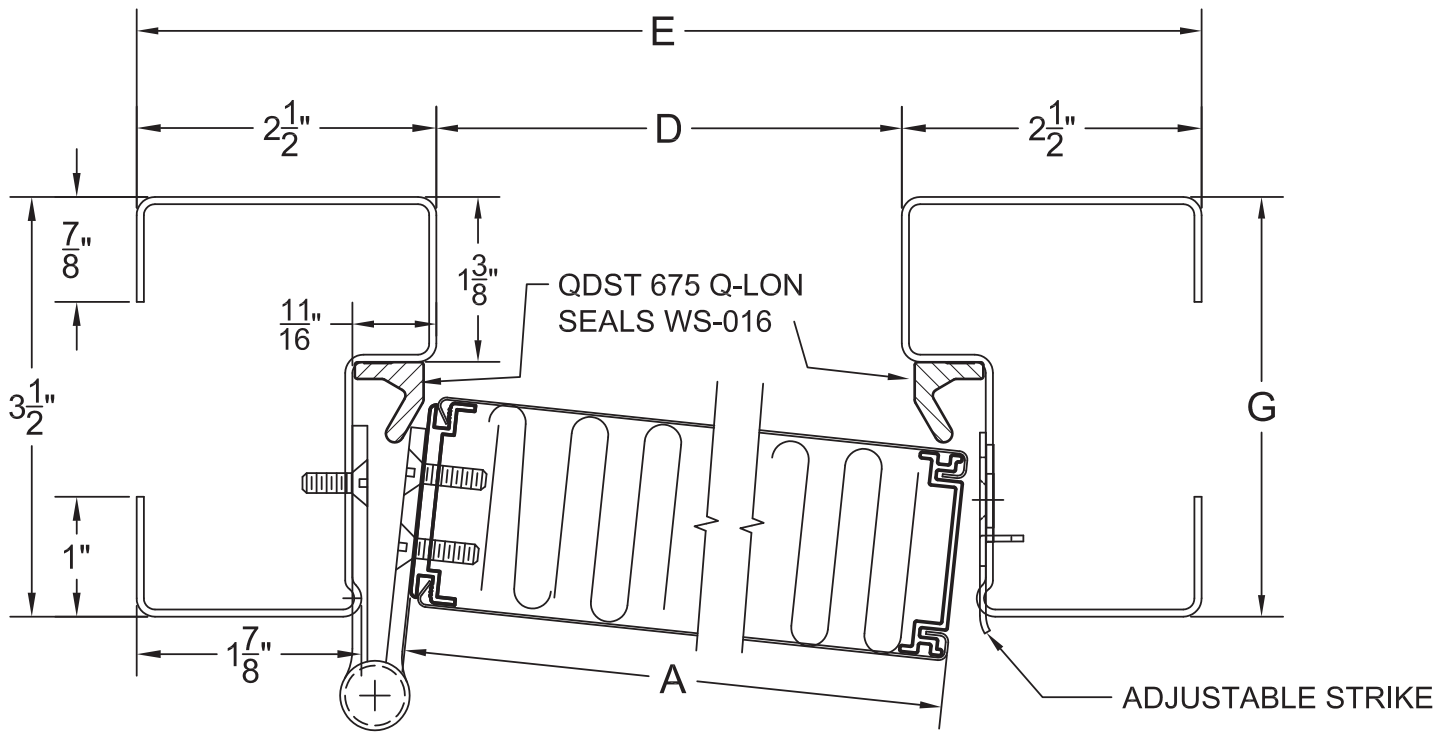
.All Lite sizes include 1" IGCC Certified Thermal Pane units tempered dbl. 1/8" glass, meeting 16 CFR 1201 Cat II & ANSI Z97.1-2015.

TESTING - AAMA/WDMA/CSA 101/I.S.2/A440-17 - NAFS - Certified Performance Label Available. FL#15336, TDI# DR-571-576

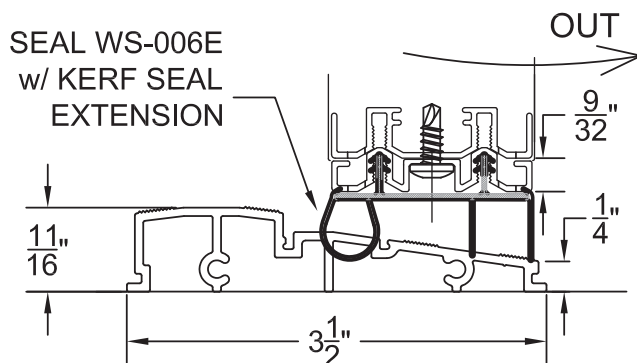
Air Infiltration	ASTM-E283	<.20 CFM/ft	Passed
Water Penetration	ASTM-E331	No leakage	Passed
Physical Endurance	AAMA 920	100,000 cycles	Passed
Wind-Storm Resistance	ASTM-E330-02	Single Lock +/- 45 psf	Class LC-PG45 (52 x 86)
	(Flush Doors-only, up to 4070)	Deadlock added +/- 45 psf	Class LC-PG45 (52 x 86)
	(Full 22 x 60 or 22 x 36 Lite Installed, up to 4070)	Sgl. Lock or with Deadbolt +/- 45 psf	Class LC-PG45 (52 x 86)
	(Full 22 x 60 or 22 x 36 Lite Installed, up to 4070)	Panic Bar - Rim Device +/- 30 psf	Class LC-PG40 (52 x 86)
Forced Entry Resistance	AAMA 1304	300 lb. Point Load	Passed
Thermal Performance	NFRC 100	U factor = 0.34 (Flush & Embossed)	Unit including Frame
		U factor = 0.42 (22 x 36 Clear Glass)	Unit including Frame & Glass

Series 20 Insulated Doors

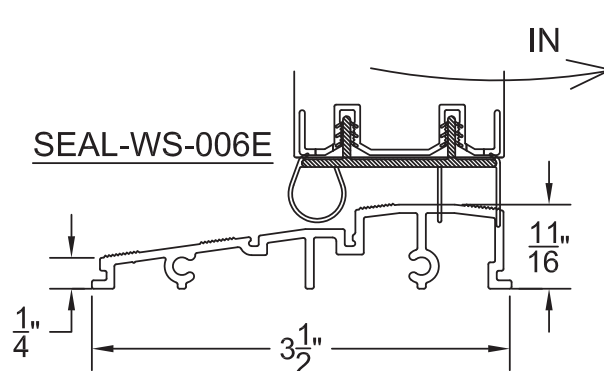
Series 20 - Door Schematic



HORIZONTAL SECTION -
OUT / IN SWING DOOR



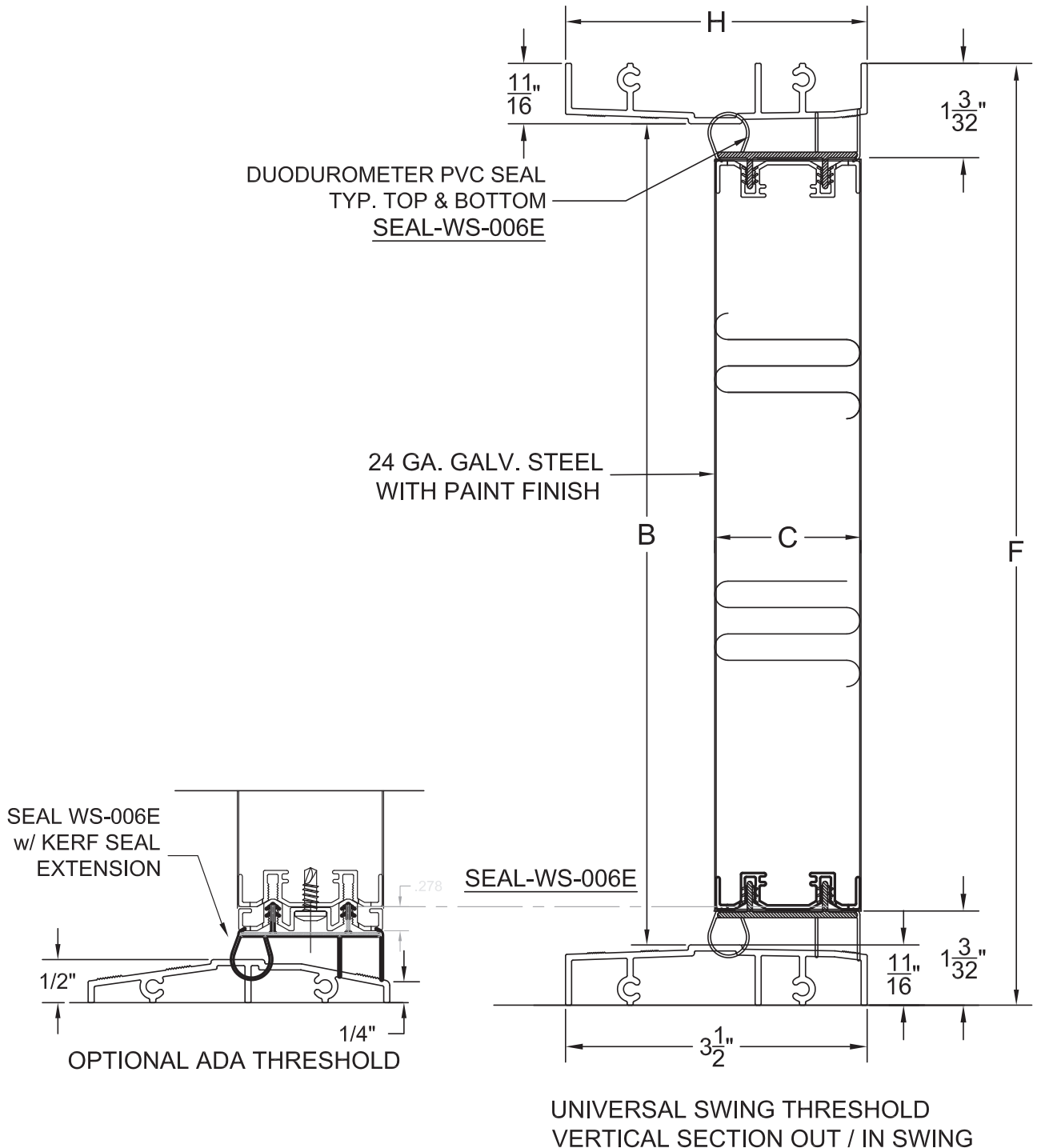
SERIES 20 OUTSWING
THRESHOLD W/ EXTENSION



SERIES 20 INSWING
THRESHOLD

Series 20 Insulated Doors

Series 20 - Door Schematic



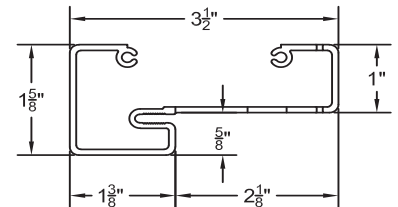
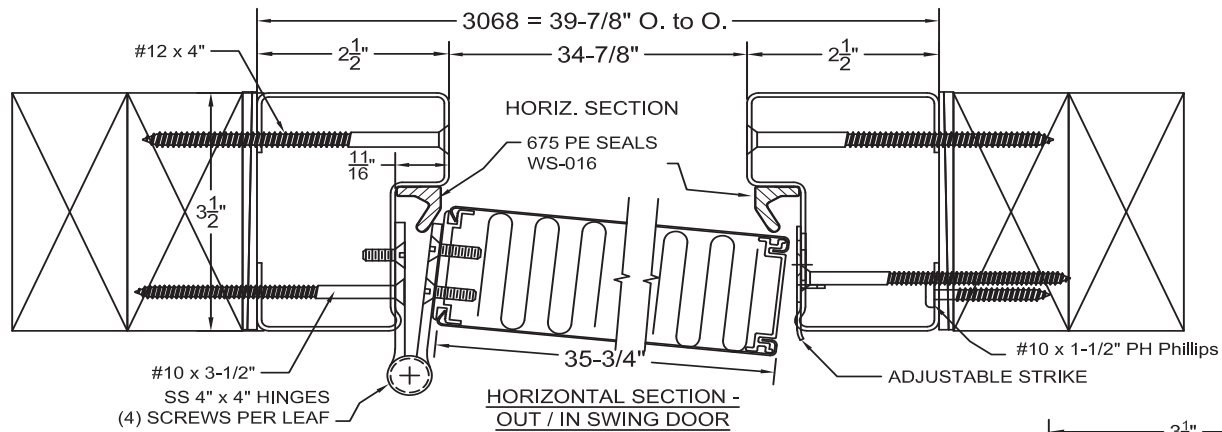


Series 20 Insulated Doors

STOCK NUMBER	DOOR				FRAME				TOTAL WEIGHT
	A	B	C	D	E	F	G	H	
20PWST2668S	29 3/4"	80"	1 3/4"	28 7/8"	33 7/8"	81 3/8"	3 1/2"	3 1/2"	92#
20PWST2868S	31 3/4"	80"	1 3/4"	30 7/8"	35 7/8"	81 3/8"	3 1/2"	3 1/2"	94#
20PWST2868B	31 3/4"	80"	1 3/4"	30 7/8"	35 7/8"	81 3/8"	3 1/2"	3 1/2"	96#
20PWST3068S	35 3/4"	80"	1 3/4"	34 7/8"	39 7/8"	81 3/8"	3 1/2"	3 1/2"	99#
20PWST3068B	35 3/4"	80"	1 3/4"	34 7/8"	39 7/8"	81 3/8"	3 1/2"	3 1/2"	102#
20PWST3068B 6P/XB	35 3/4"	80"	1 3/4"	34 7/8"	39 7/8"	81 3/8"	3 1/2"	3 1/2"	102#
20PWST3668B	41 3/4"	80"	1 3/4"	40 7/8"	45 7/8"	81 3/8"	3 1/2"	3 1/2"	110#
20PWST4068S	47 3/4"	80"	1 3/4"	46 7/8"	51 7/8"	81 3/8"	3 1/2"	3 1/2"	118#
20PWST4068B	47 3/4"	80"	1 3/4"	46 7/8"	51 7/8"	81 3/8"	3 1/2"	3 1/2"	120#
20PWST6068B	35 3/4"/35 3/4"	80"	1 3/4"	72 1/8"	77 1/8"	81 3/8"	3 1/2"	3 1/2"	188#
20PWST6068B 6P/XB	35 3/4"/35 3/4"	80"	1 3/4"	72 1/8"	77 1/8"	81 3/8"	3 1/2"	3 1/2"	188#
20PWST8068B	47 3/4"/47 3/4"	80"	1 3/4"	96 1/8"	101 1/8"	81 3/8"	3 1/2"	3 1/2"	226#
20PWST3070S	35 3/4"	84"	1 3/4"	34 7/8"	39 7/8"	85 3/8"	3 1/2"	3 1/2"	106#
20PWST3070B	35 3/4"	84"	1 3/4"	34 7/8"	39 7/8"	85 3/8"	3 1/2"	3 1/2"	108#
20PWST3670B	41 3/4"	84"	1 3/4"	40 7/8"	45 7/8"	85 3/8"	3 1/2"	3 1/2"	116#
20PWST4070S	47 3/4"	84"	1 3/4"	46 7/8"	51 7/8"	85 3/8"	3 1/2"	3 1/2"	126#
20PWST4070B	47 3/4"	84"	1 3/4"	46 7/8"	51 7/8"	85 3/8"	3 1/2"	3 1/2"	128#
20PWST6070B	35 3/4"/35 3/4"	84"	1 3/4"	72 1/8"	77 1/8"	85 3/8"	3 1/2"	3 1/2"	200#
20PWST8070B	47 3/4"/47 3/4"	84"	1 3/4"	96 1/8"	101 1/8"	85 3/8"	3 1/2"	3 1/2"	238#
20CBST3068B	35 3/4"	80"	1 3/4"	34 7/8"	39 7/8"	81 3/8"	3 1/2"	3 1/2"	102#
20CBST3068B 6P/XB	35 3/4"	80"	1 3/4"	34 7/8"	39 7/8"	81 3/8"	3 1/2"	3 1/2"	102#
20CBST4068B	47 3/4"	80"	1 3/4"	46 7/8"	51 7/8"	81 3/8"	3 1/2"	3 1/2"	120#
20CBST6068B	35 3/4"/35 3/4"	80"	1 3/4"	72 1/8"	77 1/8"	81 3/8"	3 1/2"	3 1/2"	188#
20CBST8068B	47 3/4"/47 3/4"	80"	1 3/4"	96 1/8"	101 1/8"	81 3/8"	3 1/2"	3 1/2"	226#
20CBST3070B	35 3/4"	84"	1 3/4"	34 7/8"	39 7/8"	85 3/8"	3 1/2"	3 1/2"	106#
20CBST4070B	47 3/4"	84"	1 3/4"	46 7/8"	51 7/8"	85 3/8"	3 1/2"	3 1/2"	128#
20CBST8070B	47 3/4"/47 3/4"	84"	1 3/4"	96 1/8"	101 1/8"	85 3/8"	3 1/2"	3 1/2"	238#
20HMST2668S	29 3/4"	80"	1 3/4"	28 7/8"	33 7/8"	81 3/8"	3 1/2"	3 1/2"	92#
20HMST2868S	31 3/4"	80"	1 3/4"	30 7/8"	35 7/8"	81 3/8"	3 1/2"	3 1/2"	94#
20HMST2868B	31 3/4"	80"	1 3/4"	30 7/8"	35 7/8"	81 3/8"	3 1/2"	3 1/2"	96#
20HMST3068S	35 3/4"	80"	1 3/4"	34 7/8"	39 7/8"	81 3/8"	3 1/2"	3 1/2"	99#
20HMST3068B	35 3/4"	80"	1 3/4"	34 7/8"	39 7/8"	81 3/8"	3 1/2"	3 1/2"	102#
20HMST3068B 6P/XB	35 3/4"	80"	1 3/4"	34 7/8"	39 7/8"	81 3/8"	3 1/2"	3 1/2"	102#
20HMST6068B	35 3/4"/35 3/4"	80"	1 3/4"	72 1/8"	77 1/8"	81 3/8"	3 1/2"	3 1/2"	188#
20HMST3070S	35 3/4"	84"	1 3/4"	34 7/8"	39 7/8"	85 3/8"	3 1/2"	3 1/2"	106#
20HMST3070B	35 3/4"	84"	1 3/4"	34 7/8"	39 7/8"	85 3/8"	3 1/2"	3 1/2"	108#
20HMST6070B	35 3/4"/35 3/4"	84"	1 3/4"	72 1/8"	77 1/8"	85 3/8"	3 1/2"	3 1/2"	200#
20BZST3068B	35 3/4"	80"	1 3/4"	34 7/8"	39 7/8"	81 3/8"	3 1/2"	3 1/2"	102#
20BZST3068B 6P/XB	35 3/4"	80"	1 3/4"	34 7/8"	39 7/8"	81 3/8"	3 1/2"	3 1/2"	102#
20BZST4068B	47 3/4"	80"	1 3/4"	46 7/8"	51 7/8"	81 3/8"	3 1/2"	3 1/2"	120#
20BZST6068B	35 3/4"/35 3/4"	80"	1 3/4"	72 1/8"	77 1/8"	81 3/8"	3 1/2"	3 1/2"	188#
20BZST8068B	47 3/4"/47 3/4"	80"	1 3/4"	96 1/8"	101 1/8"	81 3/8"	3 1/2"	3 1/2"	226#
20BZST3070B	35 3/4"	84"	1 3/4"	34 7/8"	39 7/8"	85 3/8"	3 1/2"	3 1/2"	108#
20BZST4070B	47 3/4"	84"	1 3/4"	46 7/8"	51 7/8"	85 3/8"	3 1/2"	3 1/2"	128#
20BZST6070B	35 3/4"/35 3/4"	84"	1 3/4"	72 1/8"	77 1/8"	85 3/8"	3 1/2"	3 1/2"	200#
20BZST8070B	47 3/4"/47 3/4"	84"	1 3/4"	96 1/8"	101 1/8"	85 3/8"	3 1/2"	3 1/2"	238#

PW = POLAR WHITE DOOR & FRAME
 CB = CHOCOLATE BROWN (CHESTNUT)
 HM = HICKORY MOSS (CLAY)
 BZ = BRONZE DOOR & FRAME

Series 20 Insulated Doors



SIZES - SINGLE DOORS

2668 - 33 7/8" X 81 3/8"	3668 - 45 7/8" X 81 3/8"
2868 - 35 7/8" X 81 3/8"	3670 - 45 7/8" X 85 3/8"
3068 - 39 7/8" X 81 3/8"	4068 - 51 7/8" X 81 3/8"
3070 - 39 7/8" X 85 3/8"	4070 - 51 7/8" X 85 3/8"

DOOR HEADER #1880 ALUM.

Q-LON V-SEAL 9650 (WS-011)

PVC CAP TRIMTC99BR
ALUM. EXTRUSION w/ DBL. KERF

24 GA. GALV. STEEL WITH PAINT FINISH

SEAL WS-006E w/ KERF SEAL EXTENSION



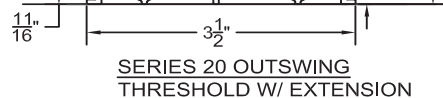
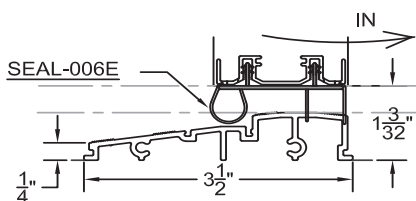
#10 X 3 1/2" FLAT HEAD PHILLIPS - 5 TOTAL



#12 X 4" FLAT HEAD PHILLIPS - 4 TOTAL



#10 X 1 1/2" PAN HEAD PHILLIPS - 1 TOTAL AT STRIKE LOCATION

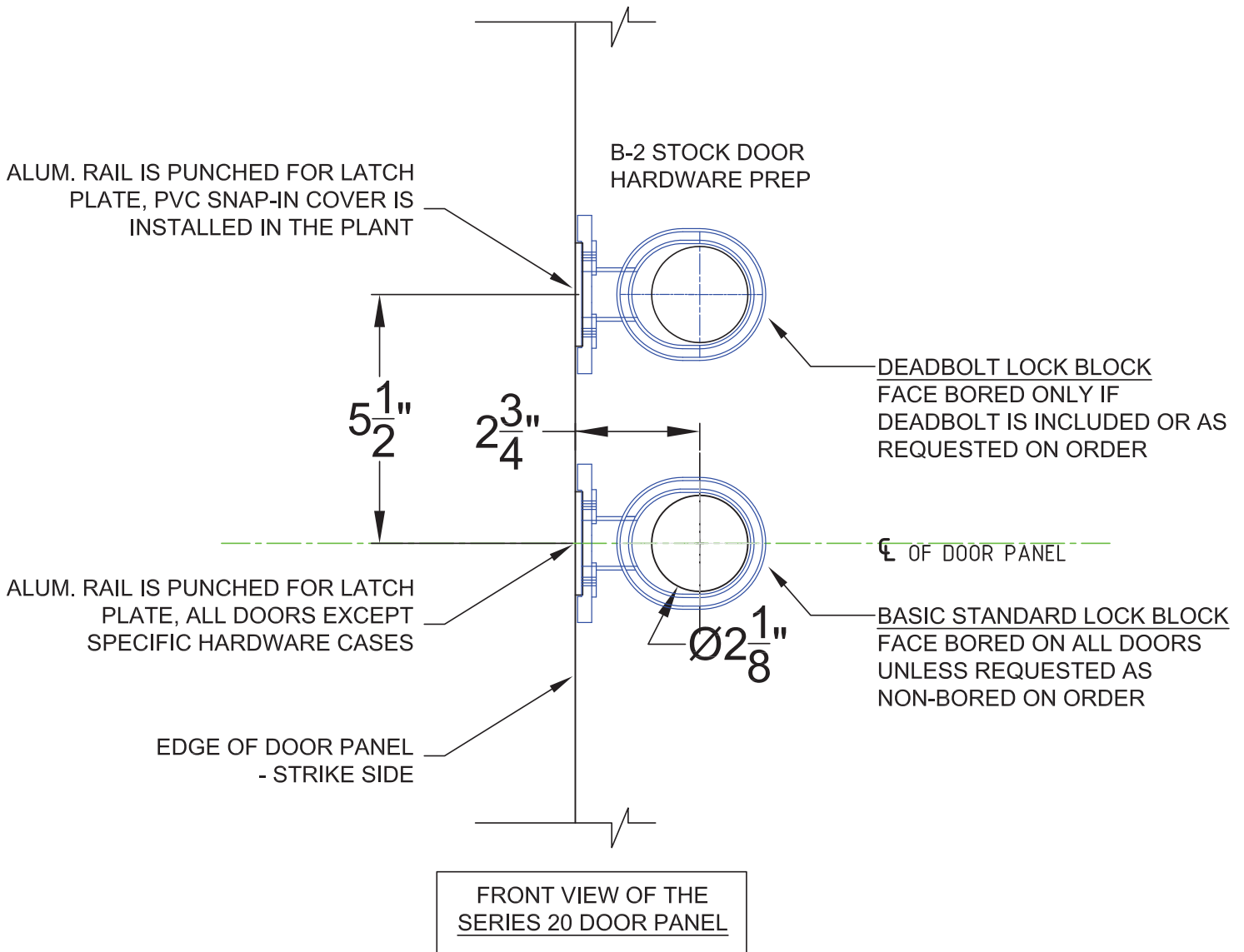


PLYCO 20EV SERIES 3068

INSTALLATION DETAILS STANDARD JAMB SHOWN

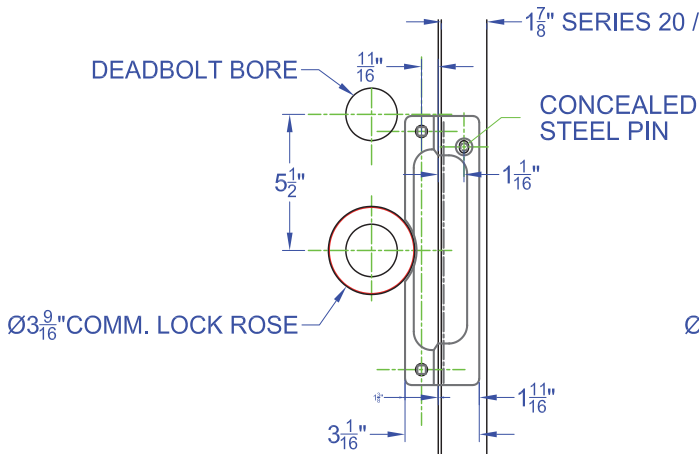
Series 20 Insulated Doors

Series 20 - Standard Deadbolt Prep (S-2)

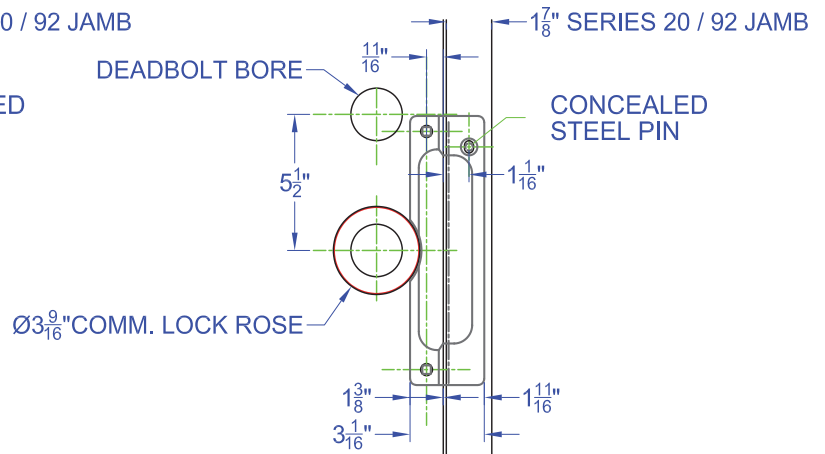


Series 20 Insulated Doors

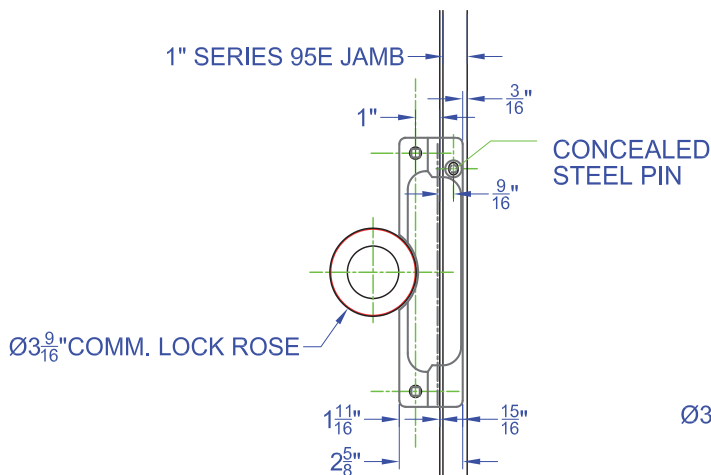
Series 20 - Latchguard Options



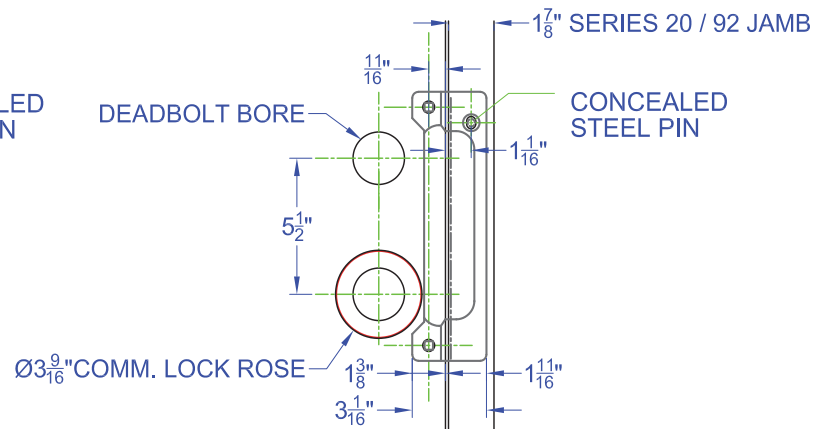
SERIES 20 / SERIES 92
STANDARD LATCHGUARD
BRUSHED ZINC PLATED STEEL
STANDARD LOCATION



SERIES 20 / SERIES 92
LATCHGUARD - CL
STAINLESS STEEL (630)
STANDARD LOCATION



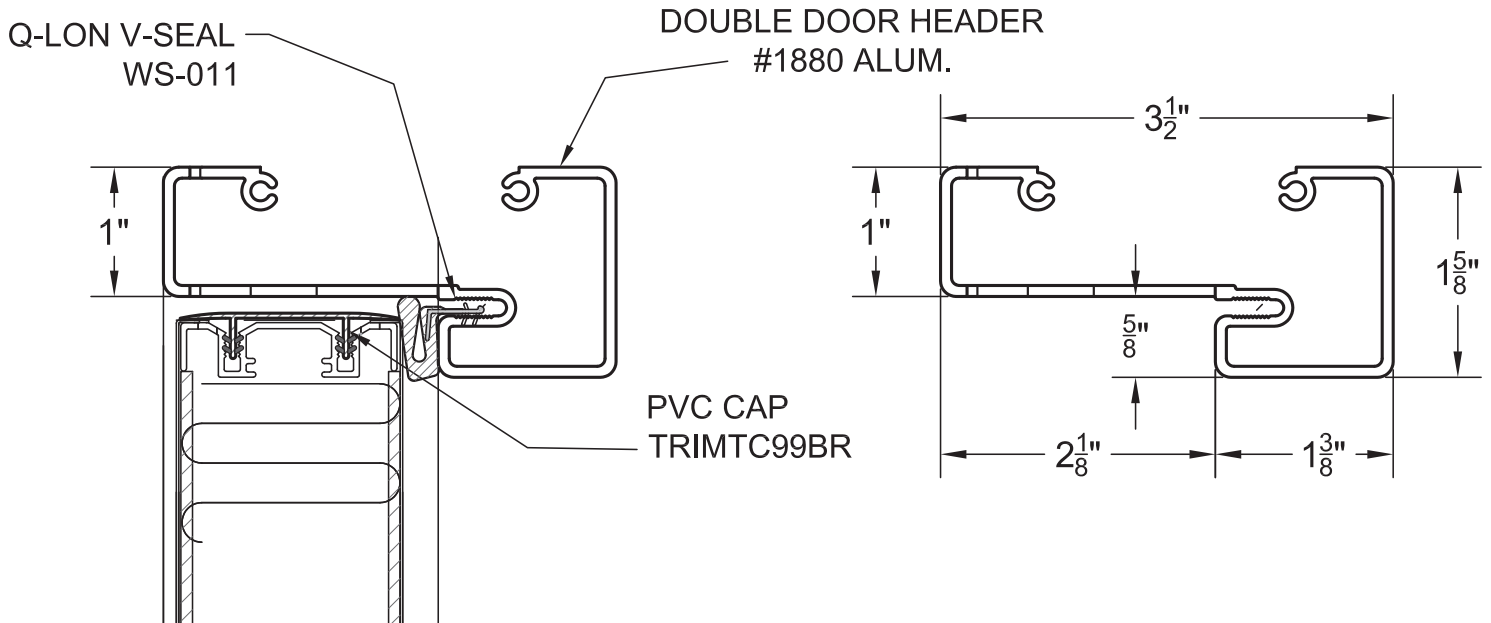
SERIES 95E NARROW
LATCHGUARD-95
BRUSHED ZINC PLATED STEEL
STANDARD LOCATION



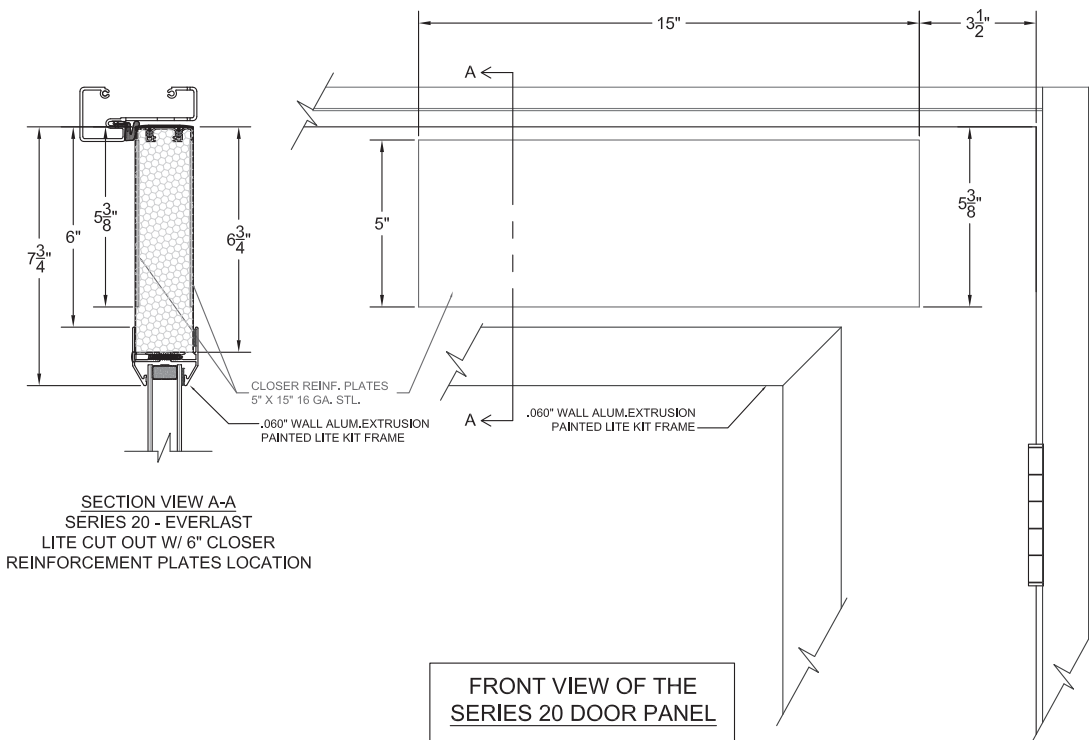
SERIES 20 / SERIES 92
LATCHGUARD-NP
BRUSHED ZINC PLATED STEEL
STANDARD LOCATION

Series 20 Insulated Doors

Series 20 - Double Door Full Header



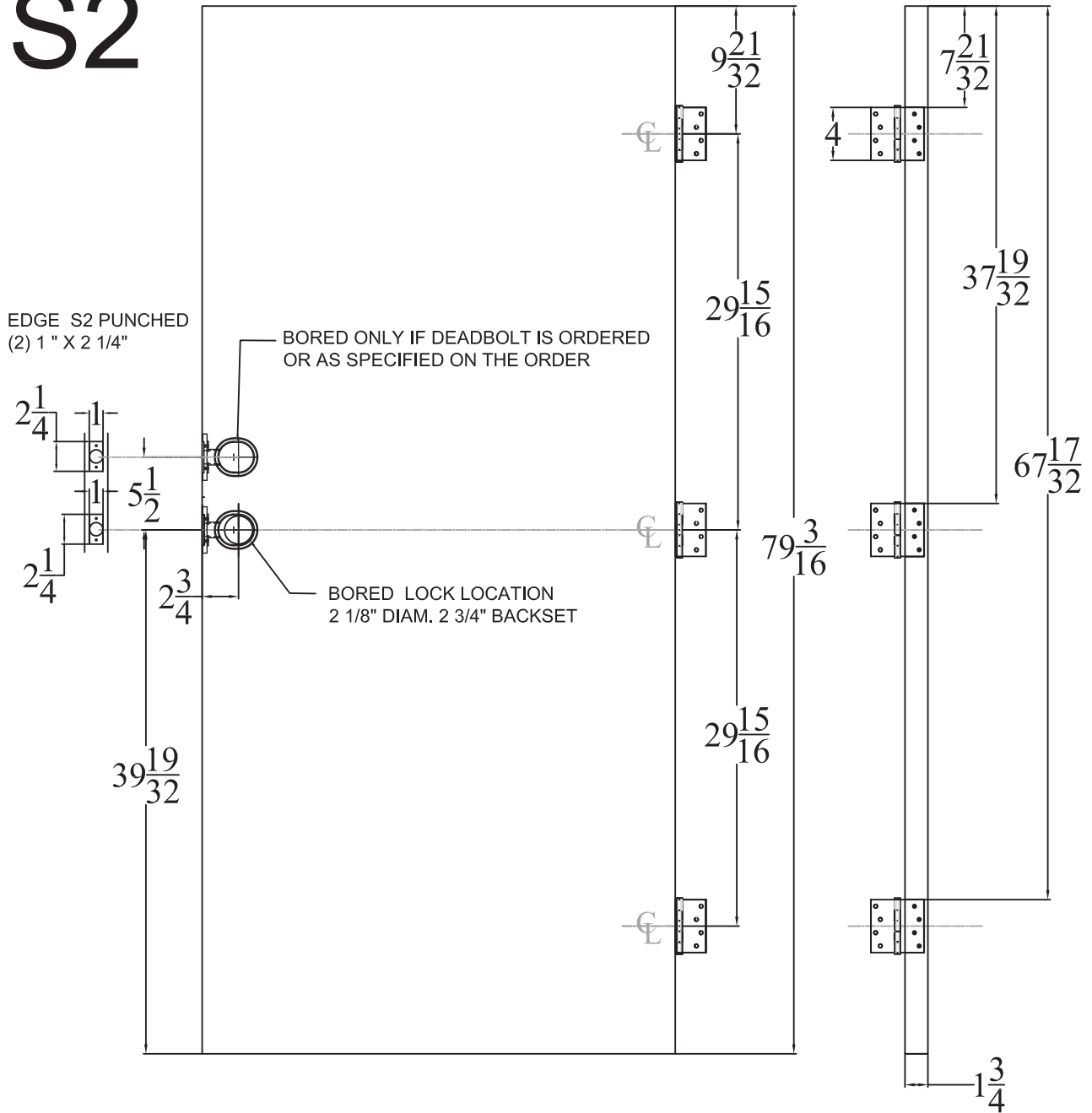
Series 20 - Blocked Panel Closer Prep



Series 20 Insulated Doors

Series 20 - 3068 Panel Layout Standard S-2

S2



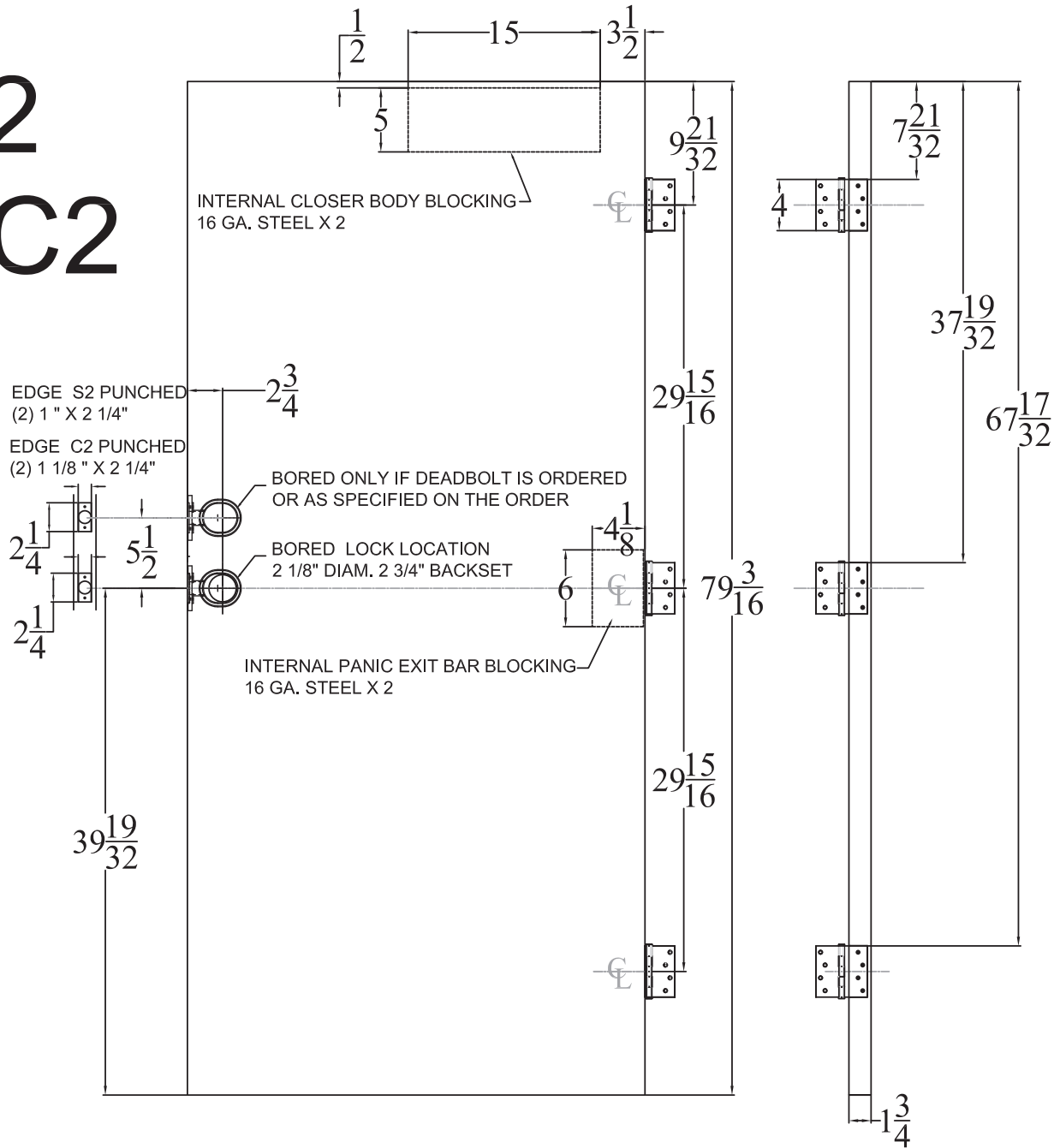
9/30/15

DOOR PANEL LAYOUT SINGLE CYL. LOCK PREP
 INCLUDES DEADBOLT LOCK BLOCK
 EVERLAST 20 STANDARD 6'8" OPTION - S2

Series 20 Insulated Doors

Series 20 - 3068 Panel Layout Blocked B-2

B2
BC2



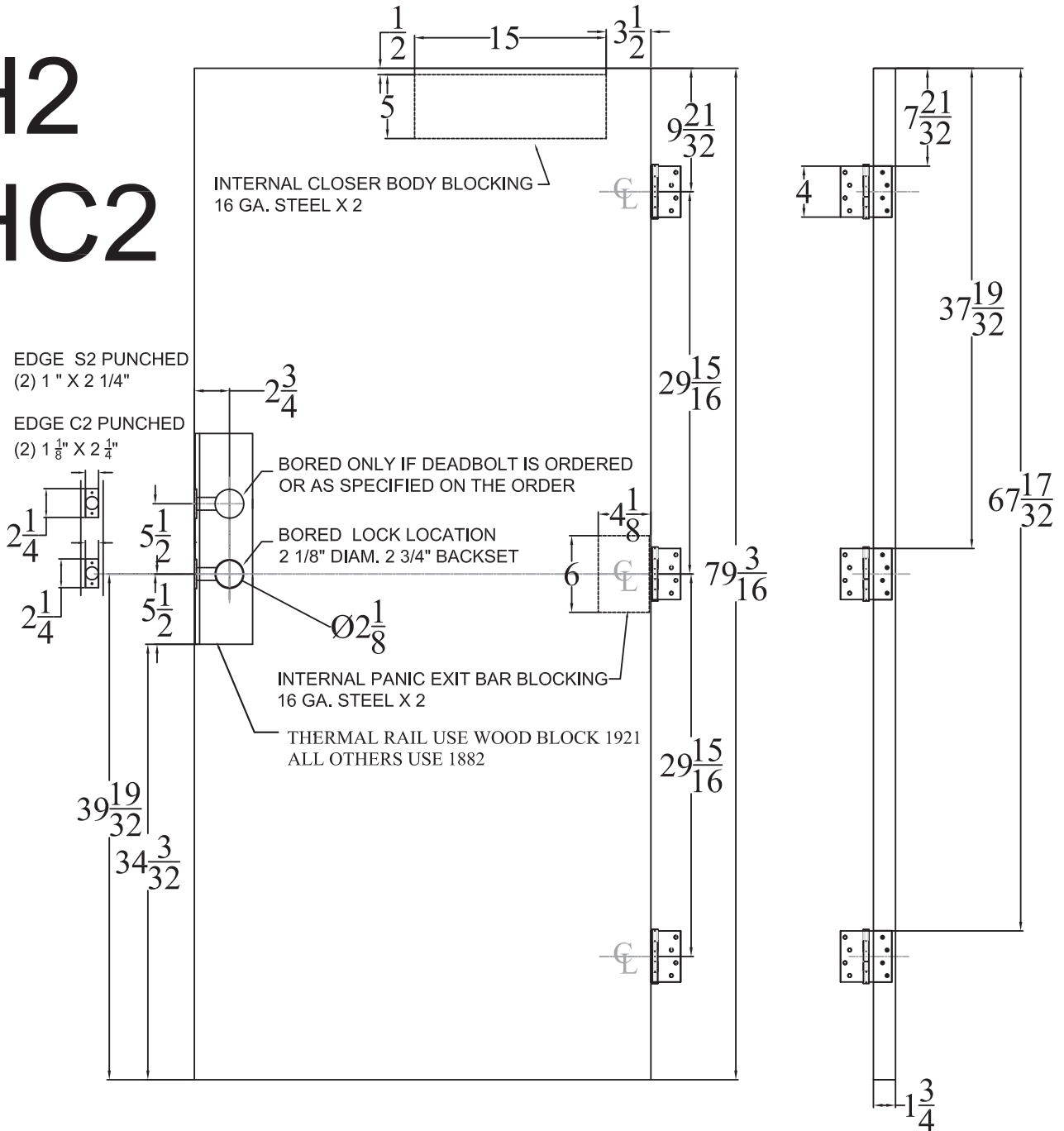
9/30/15

DOOR PANEL LAYOUT SINGLE CYL. LOCK PREP
INCLUDES DEADBOLT LOCK BLOCK
EVERLAST 6'8" BLOCKED OPTION - B2 / BC2

Series 20 Insulated Doors

Series 20 - 3068 Panel Layout Blocked H-2

H2 HC2



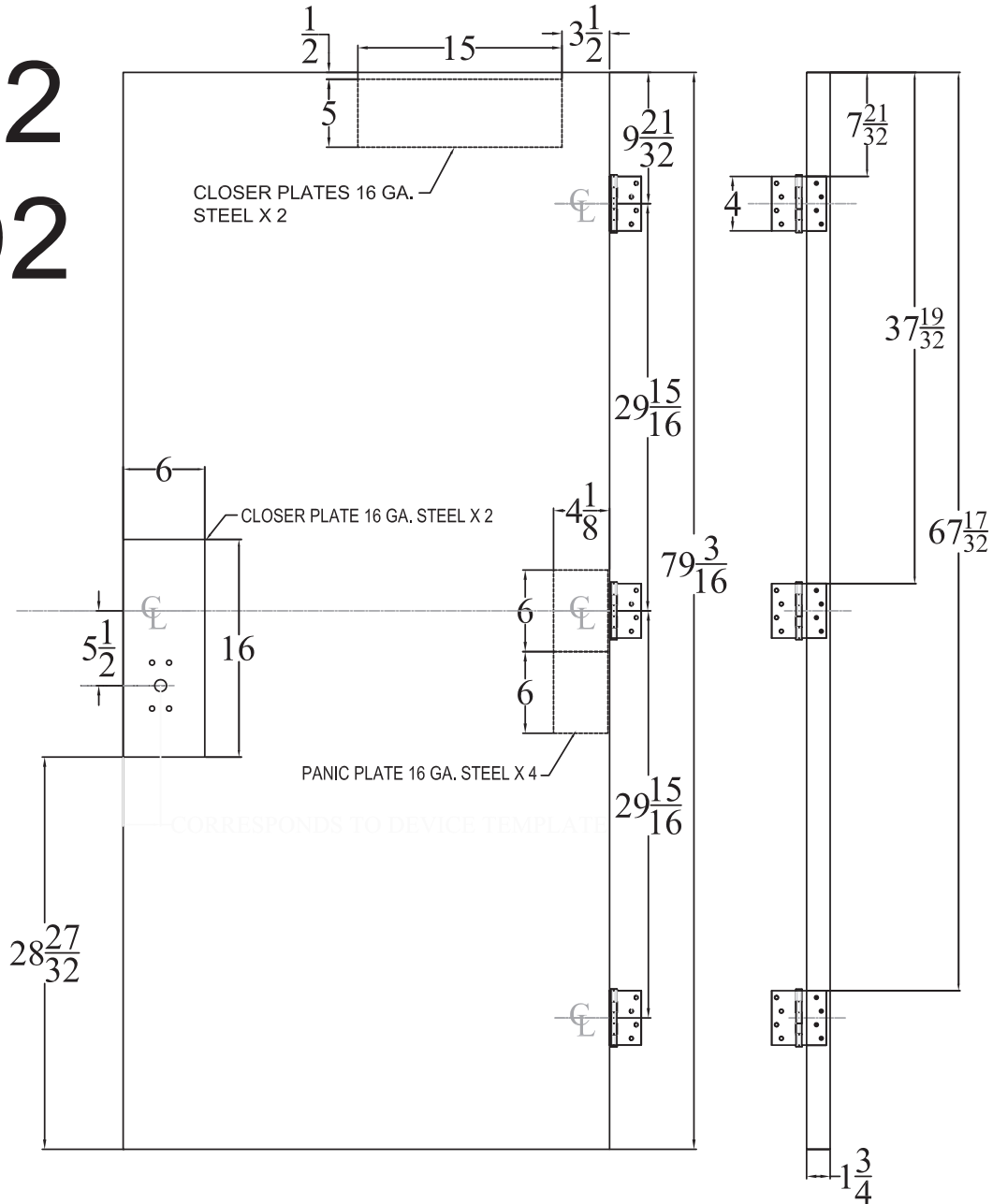
9/30/15

DOOR PANEL LAYOUT
6'8" EVERLAST HURRICANE BLOCKED
CYLINDRICAL LOCK PREP - H2

Series 20 Insulated Doors

Series 20 - 3068 Panel P-2 Panic Prep

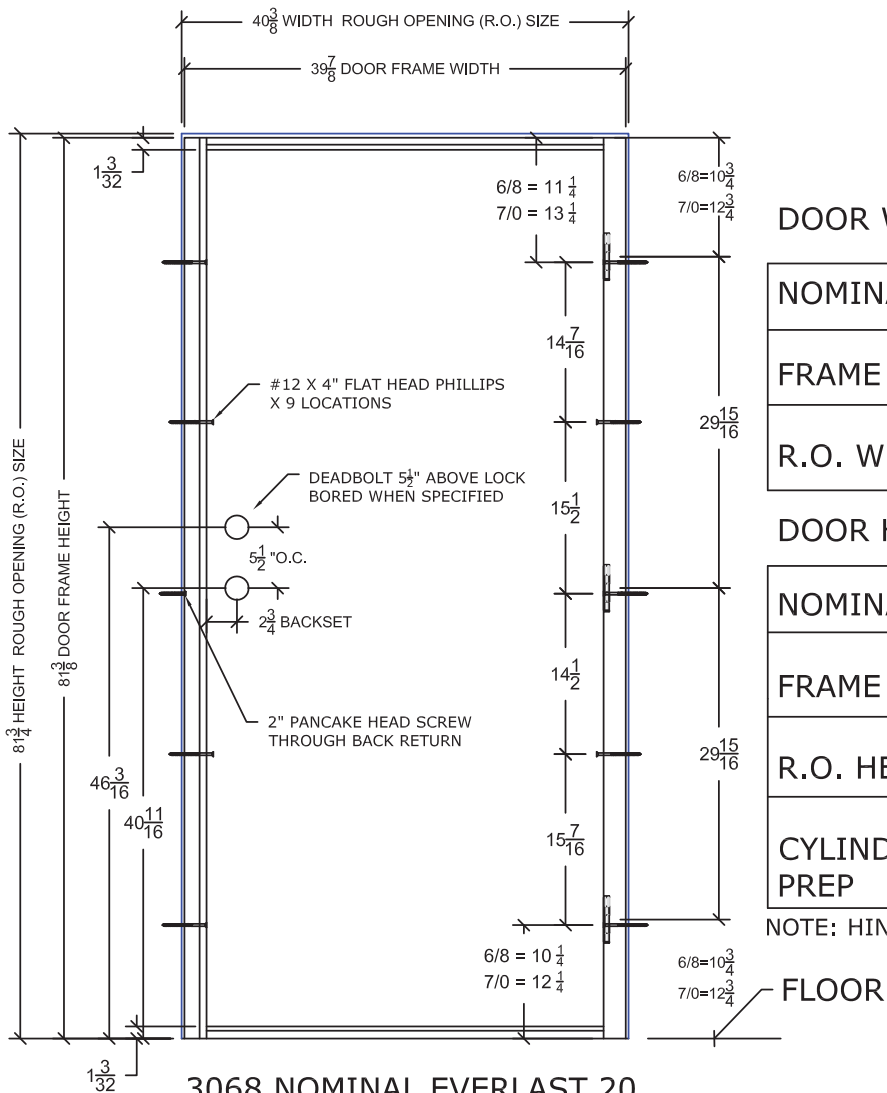
P2
D2



9/30/15 DOOR PANEL LAYOUT 6'8"
EVERLAST PANIC BLOCKED FOR LOWERED
INSTALLATION PER ANSI A117.1 ADA - P2 D2

Series 20 Insulated Doors

Series 20 - Frame - Standard Sizes



DOOR WIDTH

NOMINAL	2-6	2-8	3-0	3-6	4-0
FRAME WIDTH	33 ⁷ / ₈ "	35 ⁷ / ₈ "	39 ⁷ / ₈ "	45 ⁷ / ₈ "	51 ⁷ / ₈ "
R.O. WIDTH	34 ³ / ₈ "	36 ³ / ₈ "	40 ³ / ₈ "	46 ³ / ₈ "	52 ³ / ₈ "

DOOR HEIGHT

NOMINAL	6-8	7-0
FRAME HEIGHT	81 ³ / ₈ "	85 ³ / ₈ "
R.O. HEIGHT	81 ³ / ₄ "	85 ³ / ₄ "
CYLINDRICAL PREP	40 ¹¹ / ₁₆ "	42 ¹¹ / ₁₆ "

NOTE: HINGE BACKSET = 9/32"

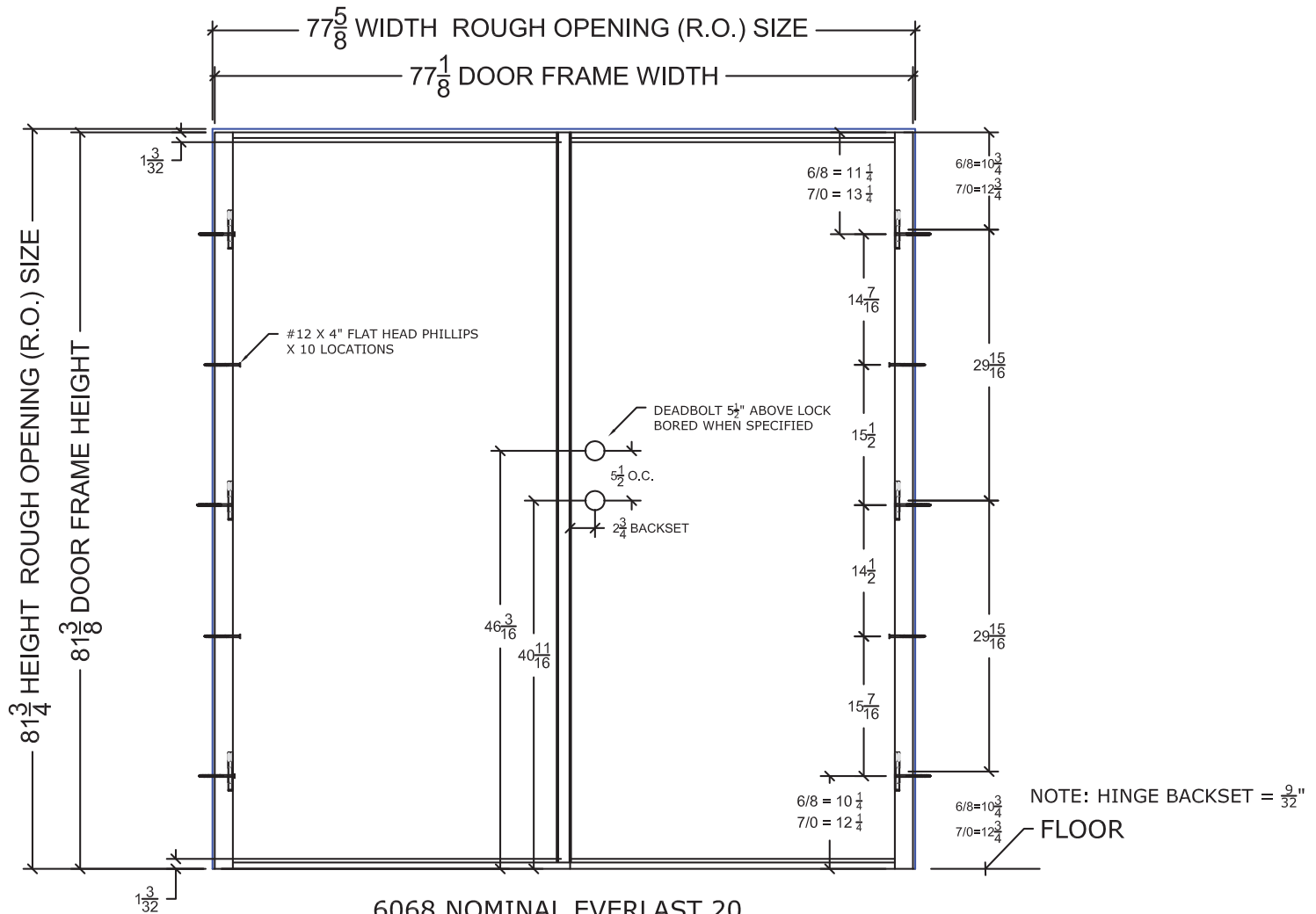
3068 NOMINAL EVERLAST 20
UNIVERSAL 4-WAY SWING
FRAMED ROUGH OPENING SIZE

SERIES 20 STANDARD SIZES

1-12-2012

Series 20 Insulated Doors

Series 20 - Frame - Standard Sizes



6068 NOMINAL EVERLAST 20
UNIVERSAL 4-WAY SWING
FRAMED ROUGH OPENING SIZE

DOOR WIDTH

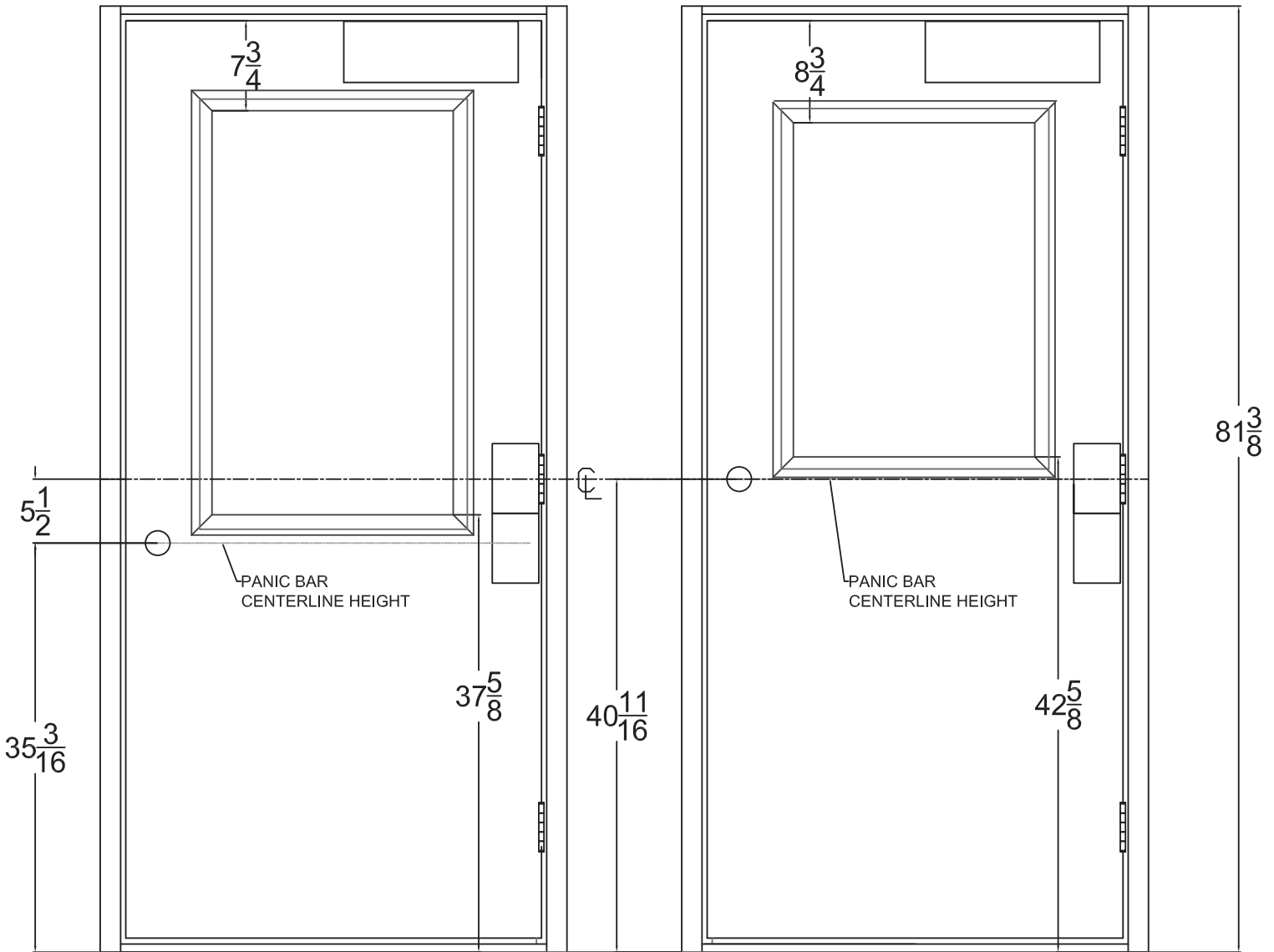
NOMINAL	6-0	7-0	8-0
FRAME WIDTH	77 $\frac{1}{8}$ "	89 $\frac{1}{8}$ "	101 $\frac{1}{8}$ "
R.O. WIDTH	77 $\frac{5}{8}$ "	89 $\frac{5}{8}$ "	101 $\frac{5}{8}$ "

DOOR HEIGHT

NOMINAL	6-8	7-0
FRAME HEIGHT	81 $\frac{3}{8}$ "	85 $\frac{3}{8}$ "
R.O. HEIGHT	81 $\frac{3}{4}$ "	85 $\frac{3}{4}$ "
CYLINDRICAL PREP	40 $\frac{11}{16}$ "	42 $\frac{11}{16}$ "

Series 20 Insulated Doors

Series 20 - Panic Bar Height



1-LB-2
22X36 ADA

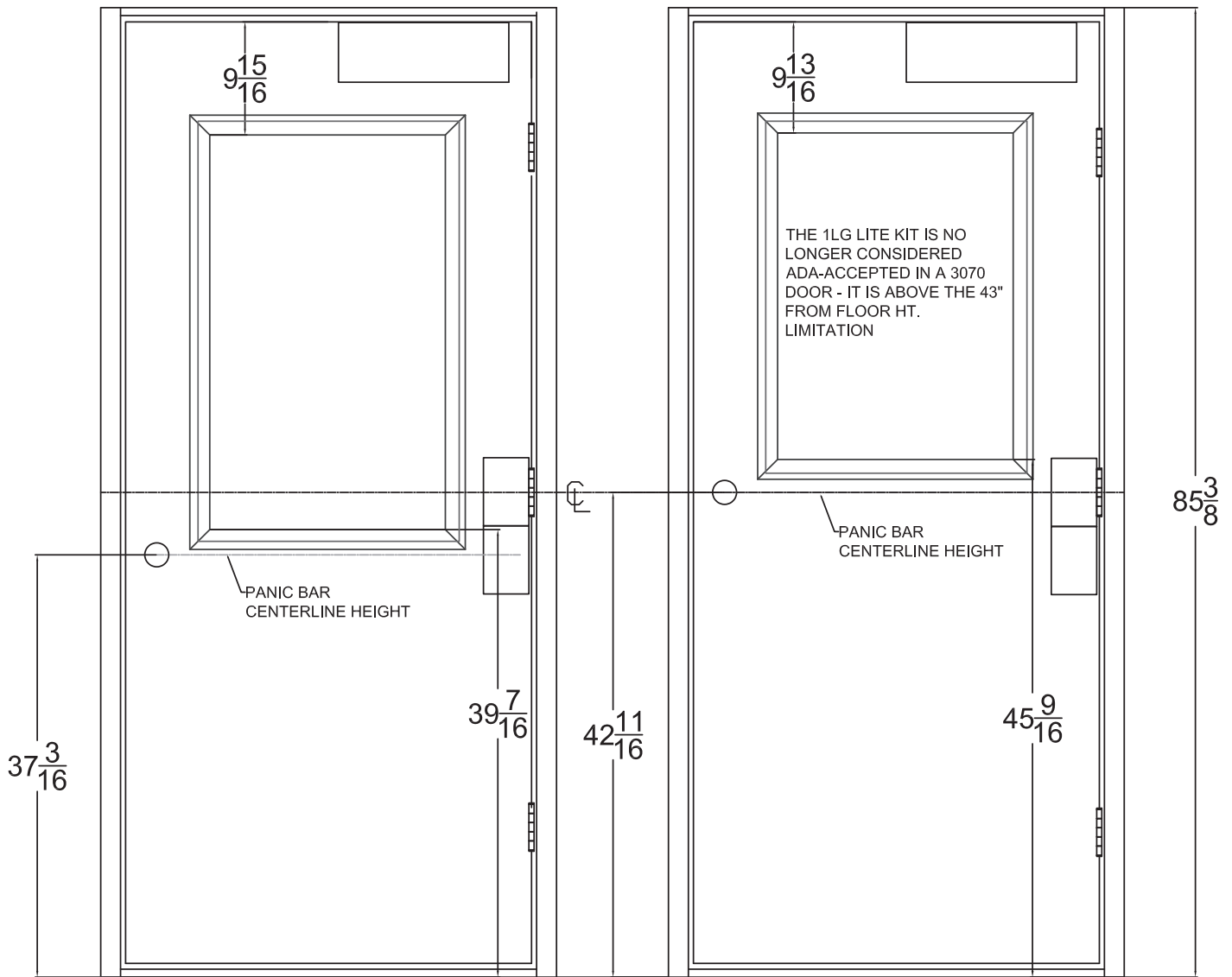
22 X 36 INSULATED
 1-LITE WITH PANIC BAR

1-LG-2
22X30 ADA

22 X 30 INSULATED
 1-LITE WITH PANIC BAR

Series 20 Insulated Doors

Series 20 - 3070 Panic Bar Height

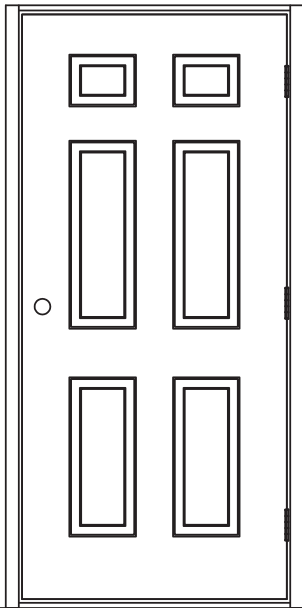


1-LB-2
22X36 ADA
 22 X 36 INSULATED
 1-LITE WITH PANIC BAR

1-LG-2
22X30 NON-ADA
 22 X 30 INSULATED
 1-LITE WITH PANIC BAR

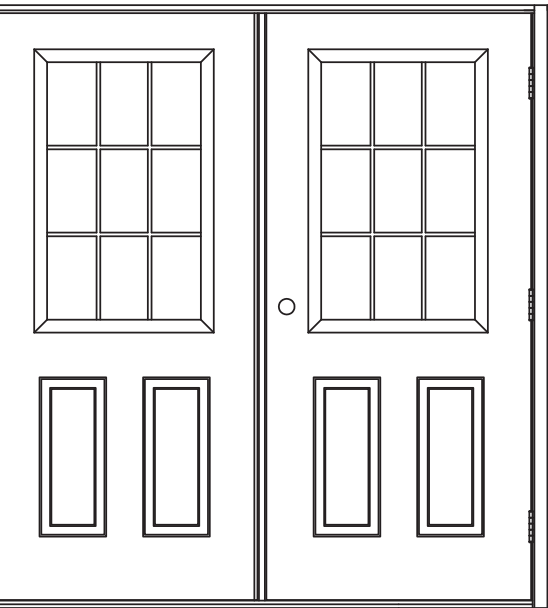
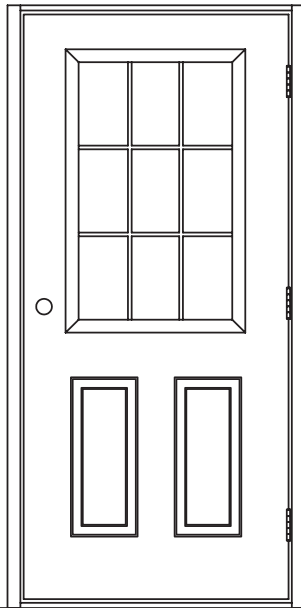
Series 20 Insulated Doors

Series 20 - Embossed 3068 / 6068 Only



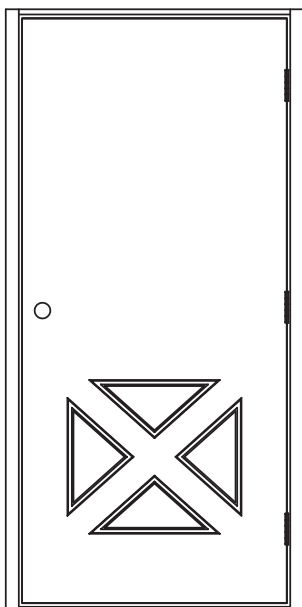
3068 DOOR 6-PANEL

22 X 36 INSULATED 9-LITE IN 6-PANEL DOOR



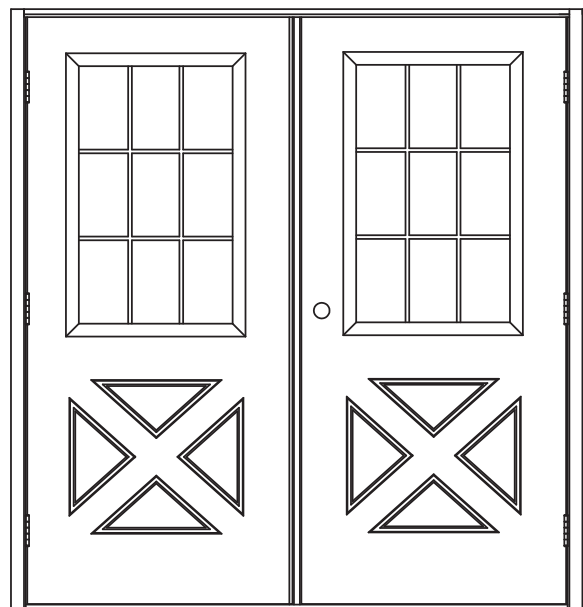
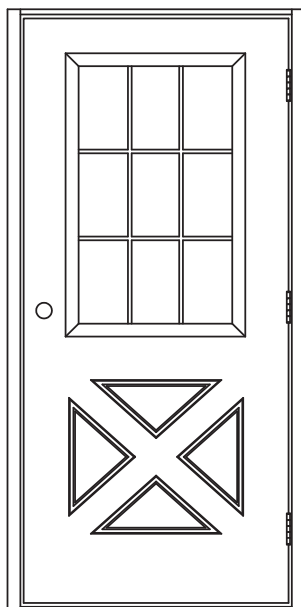
6068 DOOR 6-PANEL

22 X 36 INSULATED 9-LITE IN 6-PANEL DOOR



3068 DOOR X-BUCK

22 X 36 INSULATED 9-LITE IN 6-PANEL DOOR



6068 DOOR X-BUCK

22 X 36 INSULATED 9-LITE IN 6-PANEL DOOR