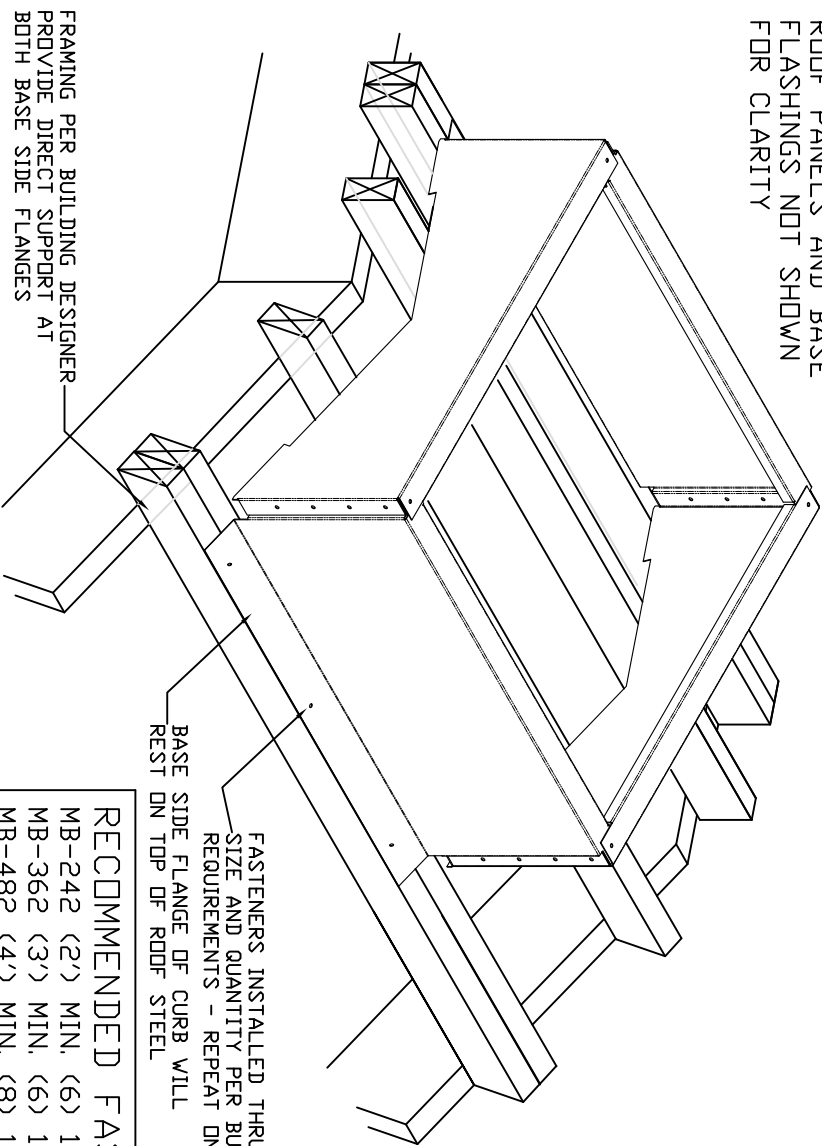


CUPOLA MOUNTING BASE - ASSEMBLED

KIT INCLUDES:

- (1) ASSEMBLED MOUNTING BASE WITH ATTACHED FLASHING
- (16) #12-14 X 1" HWH SELF-DRILLING CUPOLA ATTCHING SCREWS (PAINTED)
- (8) 1/4"-7 X 4" HWH 5/16" DRIVE TIMBERLOK STRUCTURAL SCREW FASTENERS (PAINTED) WITH BONDED WASHER FOR CLARITY



CURB PART #	CURB D.D.	PITCH/12	HEIGHT
MB-242-3	23 3/4"	3/12	8 3/4"
MB-242-4	23 3/4"	4/12	9 5/8"
MB-242-5	23 3/4"	5/12	10 5/8"
MB-242-6	23 3/4"	6/12	11 5/8"
CURB PART #	CURB D.D.	PITCH/12	HEIGHT
MB-362-3	35 3/4"	3/12	10 1/4"
MB-362-4	35 3/4"	4/12	11 5/8"
MB-362-5	35 3/4"	5/12	13 1/8"
MB-362-6	35 3/4"	6/12	14 5/8"
CURB PART #	CURB D.D.	PITCH/12	HEIGHT
MB-482-3	47 3/4"	3/12	11 3/4"
MB-482-4	47 3/4"	4/12	13 5/8"
MB-482-5	47 3/4"	5/12	15 5/8"
MB-482-6	47 3/4"	6/12	17 5/8"

FASTENERS INSTALLED THRU THIS FLANGE SIZE AND QUANTITY PER BUILDING DESIGN REQUIREMENTS - REPEAT ON OPPOSITE SIDE

BASE SIDE FLANGE OF CURB WILL REST ON TOP OF ROOF STEEL

FRAMING PER BUILDING DESIGNER PROVIDE DIRECT SUPPORT AT BOTH BASE SIDE FLANGES

RECOMMENDED FASTENERS - INCLUDED

MB-242 (2') MIN. (6) 1/4-7 X 4" HEX DRIVE TIMBERLOK - PAINTED

MB-362 (3') MIN. (6) 1/4-7 X 4" HEX DRIVE TIMBERLOK - PAINTED

MB-482 (4') MIN. (8) 1/4-7 X 4" HEX DRIVE TIMBERLOK - PAINTED

INSTALLATION INSTRUCTIONS

1. Position the assembled base over the roof sheathing and ridgecap. Fasteners will go thru at the ribs.
2. PRE-DRILL 5/16" HOLES - CENTER OVER EACH RIB ENSURING THAT THE FASTENER WILL GO INTO THE FRAMING 3".
3. Anchor curb thru roof steel, then directly to building framing using fasteners per design drawings.
4. Assembled base curb includes painted self-drilling screws to attach cupola.
4. Install cupola to the support curb box per instructions provided using #12-14x1" self-drillers.

CUPOLA BASE INSTRUCTIONS

rev 04/2019