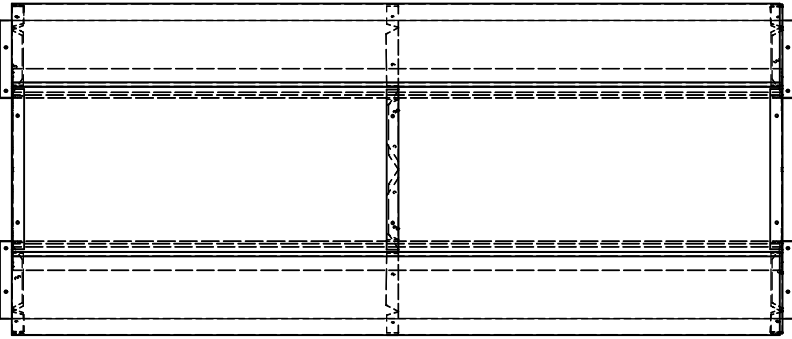
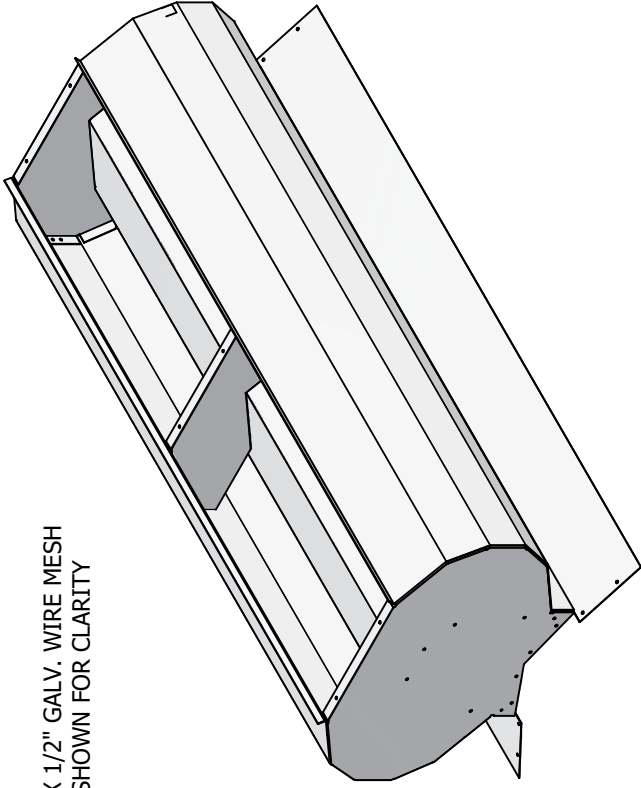
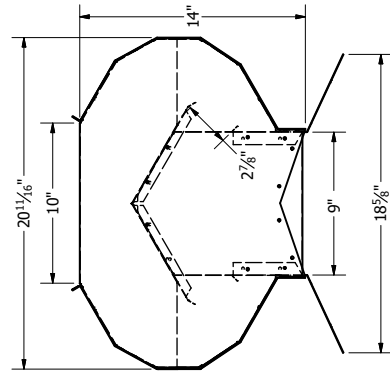


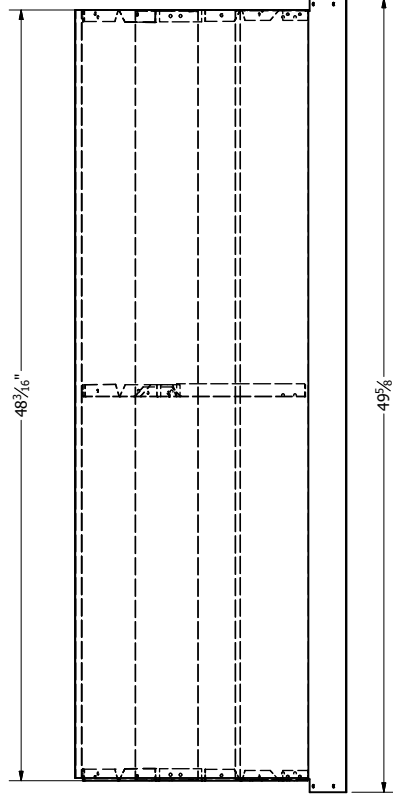
1/2" X 1/2" GALV. WIRE MESH  
NOT SHOWN FOR CLARITY



TOP VIEW



END VIEW



SIDE VIEW

DRAWN Ageisthardt	1/29/2024	PLYCO CORPORATION	
CHECKED		TITLE	
QA		MW-CRY904	
MFG		9" THROAT ROOF VENT	
APPROVED		SIZE	DWG NO
		C	904 Vent Assembly
		SCALE	1 / 6
			SHEET 1 OF 1