

COMBO[®]

Sliding Door Track



COMBO[®] ...leading the way to **BETTER**
sliding door systems for farm and
industrial buildings!

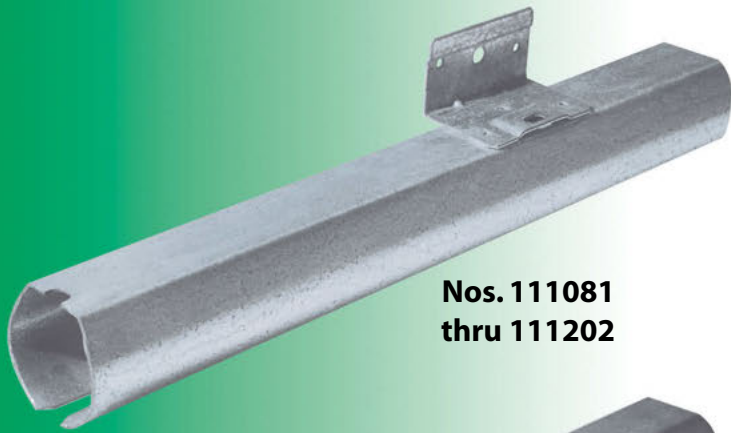
PLYCO
CORPORATION

Elkhart Lake, WI 53020

USA	INTERNATIONAL
800-558-5895	920-876-3611
Fax 800-257-5926	Fax 920-876-3527



DOOR TRACK



**Nos. 111081
thru 111202**



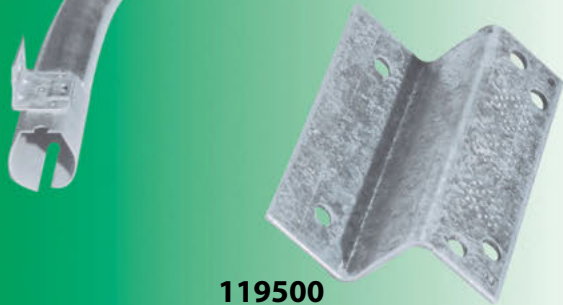
**Nos. 112081
thru 112202**



**Nos. 113081
thru 113202**



113000



119500



119000

131000

COMBO sliding door track is self-cleaning and self-aligning. Its unique, flat-top design imparts extra strength to the track which eliminates deflection from heavy, rolling doors. COMBO track is made of 14-gauge, galvanized, high-carbon steel that's roll-formed to assure maximum uniformity over its entire length. 14-gauge, galvanized steel mounting brackets are projection-welded* on top of the track at 2-foot intervals. Mounts with nails or lag bolts. Comes in standard lengths from 8- to 20-feet. Other lengths are available upon request.

Nos. 111081-111202 — COMBO track with side-mount brackets.

Nos. 112081-112202 — COMBO track with top-mount brackets.

Nos. 113081-113202 — COMBO track with top-mount stud bolts. Same as side-mount and top-mount track, except with 3/8" stud bolts welded on top of track at 2' intervals for overhead mounting.

No. 113000 — COMBO side mount, 90° curved track with 36" radius.

Not available with top-mount brackets or stud bolts.

No. 119500 — Offset track extension bracket.

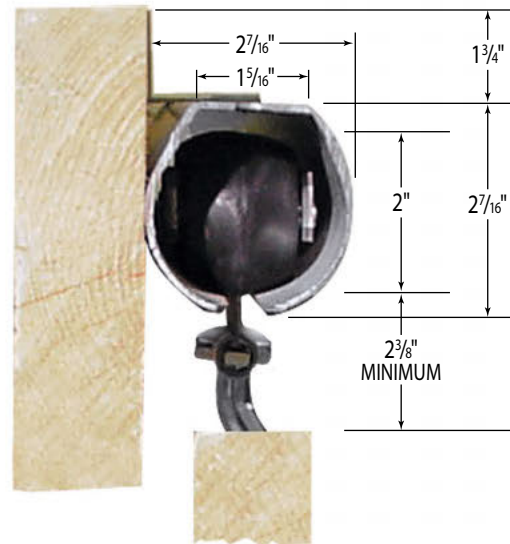
For supporting track that extends beyond the door opening. Eliminates cutting metal siding or extending the header.

No. 119000 — Splice collar.

Locks two track sections together in perfect alignment at the joint. Special design permits back side of the track to bear against the header for extra strength and rigidity.

No. 131000 — Track end plug

Bird-proofs track when bolted into each end of the track run.



* Projection-welding does not destroy the galvanized finish.



TROLLEY HANGERS

COMBO trolley hangers are made to handle doors up to 600-pounds. There is no metal-to-metal contact. Tough, ball-shaped, self-lubricating, Delrin-500 trolley wheels roll easily in the round COMBO track and are virtually impervious to wear. Teflon grease is added for even smoother operation. Polished-steel roller-bearings are optional in all trolley wheels for ultimate rolling ease with heaviest doors. Long, underslung wheel bases eliminate chattering and bucking. All metal parts are zinc-plated.

No. 149500 — 9½" offset-bolt trolley hanger.

For wood- and metal-frame doors. Swivel stirrup provides up to 180° swing in either direction. Adjust ¾" laterally. Has 5" thread for vertical adjustment.

No. 149550 — Roller-bearing, 9½" offset-bolt trolley hanger.

Same as No. 149500, except with roller-bearing wheels.

No. 146500 — 6½" offset-bolt trolley hanger.

Same as No. 149500, except with 6½" offset bolt.

No. 146550 — Roller-bearing, 6½" offset-bolt trolley hanger.

Same as No. 146500, except with roller-bearing wheels.

No. 144500 — 4" straight-bolt trolley hanger.

For metal doors. Split-stirrup provides up to 30° swing in either direction. Has a 4" straight, full-threaded bolt.

No. 144550 — Roller-bearing, 4" straight-bolt trolley hanger.

Same as No. 144500, except with roller-bearing wheels.

No. 142500 — 2½" straight-bolt trolley hanger.

Same as No. 144500, except with 2½" straight-bolt.

No. 142550 — Roller-bearing, 2½" straight-bolt trolley hanger.

Same as No. 142500, except with roller-bearing wheels.

No. 141500 — Wood door trolley hanger.

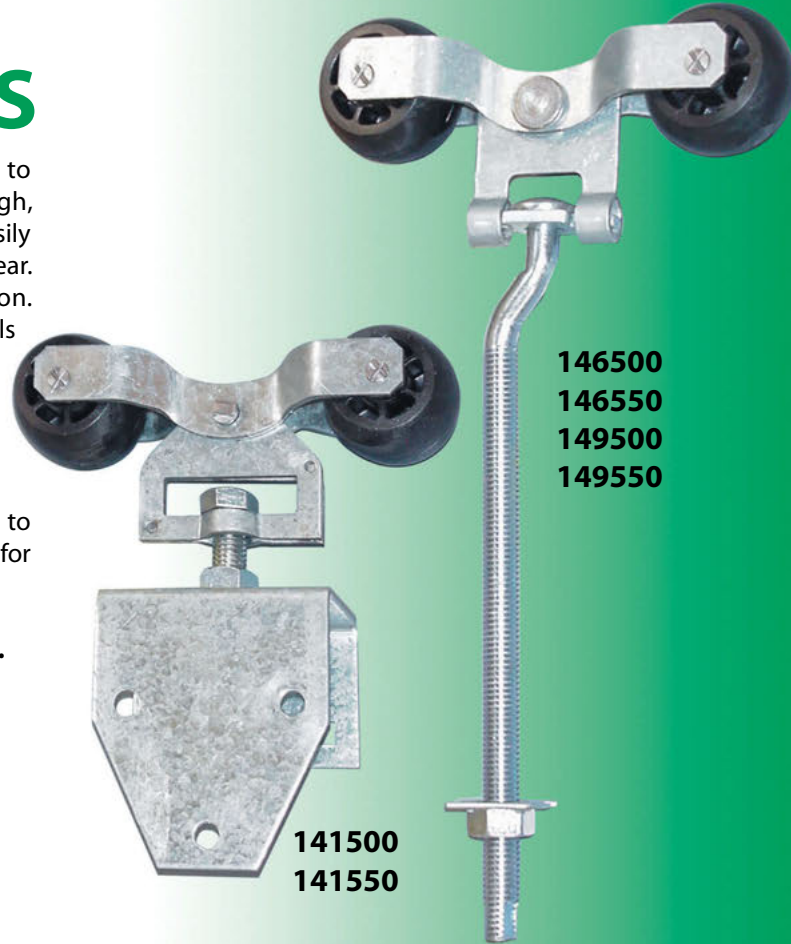
Galvanized, 2-piece strap for mounting 1½" to 1¹³/₁₆" doors. Split-stirrup provides up to 30° swing in either direction. Adjusts vertically and laterally.

No. 141550 — Roller-bearing, wood door trolley hanger.

Same as No. 141500, except with roller-bearing wheels.

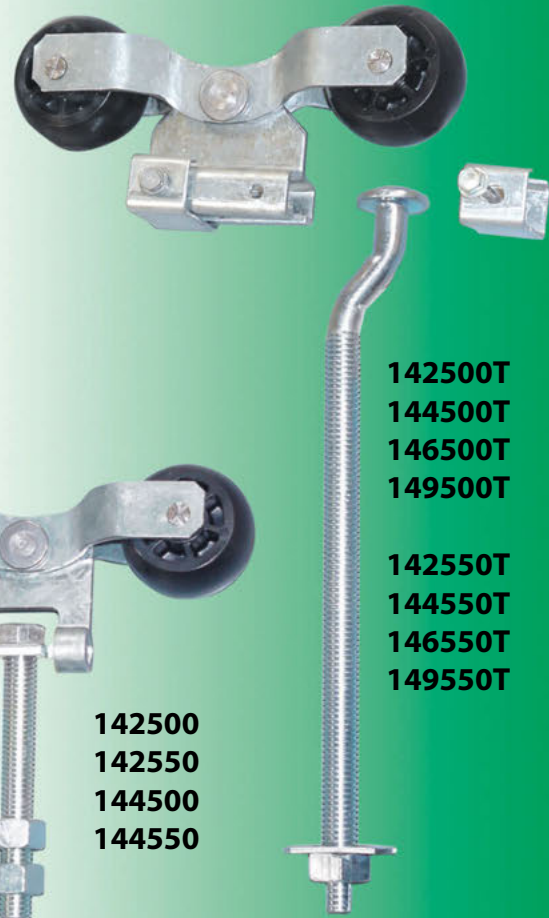
Nos. 142500T, 144500T, 146500T, 149500T, 142550T, 144550T, 146550T, 149550T, — Trundle Trolley Hangers.

Exclusive, patented design for easy, fast hanging of the door leaf in the track. COMBO Trundle Trolleys are simply rolled into the track and hanger bolts installed in the door leaf while still on the ground. The door leaf is, then, leaned against the building beneath the track and the Trundle Trolleys are rolled over to engage the hanger bolts. Final door height is adjusted with the locking nuts on the hanger bolts.



146500
146550
149500
149550

141500
141550



142500T
144500T
146500T
149500T

142550T
144550T
146550T
149550T

142500
142550
144500
144550



TRACK BRACKETS



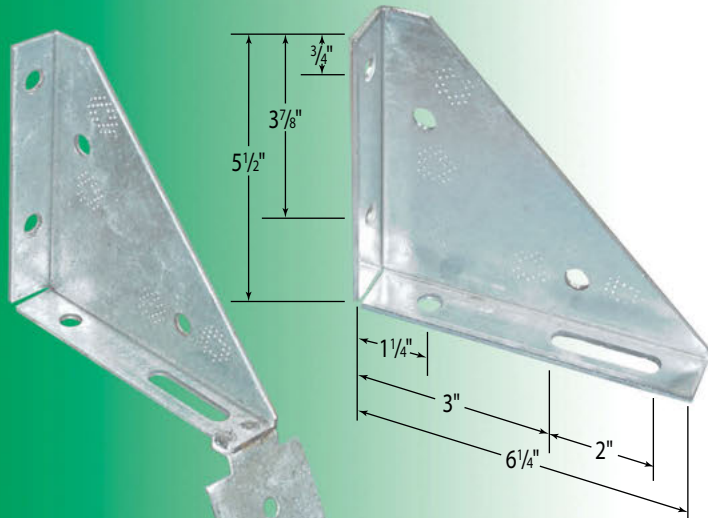
No. 119300

No. 119300 — Double-track, side-mount bracket.

For mounting parallel runs of stud-bolt track for by-passing doors. Mounts with bolts or lags. Track mounting holes are slotted to provide lateral track adjustment for 2-inch to 4½ inch thick doors. Made of 16 gauge, galvanized steel.

No. 119350 — Double-track, side-mount bracket with track covers support.

Same as No. 119300, except with standard track cover bracket welded to the double-track, side-mount bracket.



No. 119350

“Complete” Cover Brackets

For mounting track cover which extends beyond the actual run of track. Consists of a track-cover bracket welded to a track-mounting bracket. Holes are punched for mounting with nails or lag-bolts. Made of 16-gauge, galvanized steel.

No. 115500 — Complete, side-mount track cover bracket.

No. 116500 — Complete, top-mount track cover bracket.

No. 117500 — Complete, “Snap-Up” track cover bracket.

No. 114500 — Complete, side-mount track cover bracket for doors up to 6" thick.

No. 116550 — Complete, top-mount track cover bracket for doors up to 6" thick.



Nos. 114500
115500
116500
116550
117500

“Snap-Up” Cover Brackets

Patented COMBO “Snap-Up” cover brackets are conveniently out-of-the-way while you're mounting track and hanging doors, yet snap quickly and securely into place, with just the tap of a hammer, when you're ready to install cover. No fasteners needed. Made of 16-gauge, galvanized steel.

No. 115000 — Standard track cover bracket.

For mounting standard, side-mount and top-mount track cover.

No. 117000 — “Snap-Up” track cover bracket.

For mounting “Snap-Up” track cover on side-mount track.

No. 114000 — Track cover bracket for 6-inch door.

For mounting standard track cover on side-mount and top-mount track carrying doors up to 6" thick.

Due to Plyco Corporation's ongoing commitment to product improvement, we reserve the right to change, without notice, product specifications, availability, prices and conditions of sale.



Nos. 114000
115000

No. 117000

Distributed by: