



RE-INTRODUCING

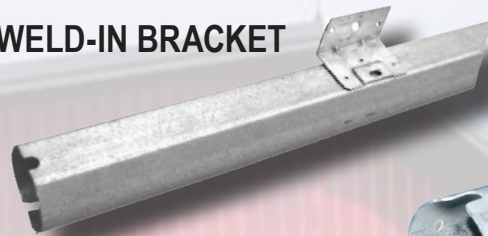
# SLIDE DOOR COMPONENTS KITS - TRACK - PRICING

PLYCO complete slide door systems takes the "struggle" out of hanging sliding doors. With the PLYCO complete slide door system, there's no need to round-up your entire crew to help hang sliding doors.

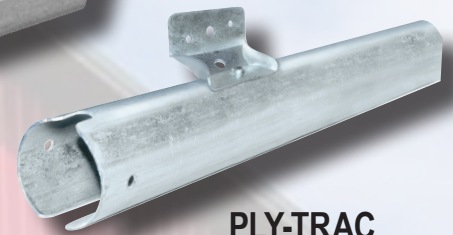
**Kits and components are stocked and ready to ship to finish your job quickly.**

## TRACK

WELD-IN BRACKET



SLOTTED BRACKET



COMBO TRACK

PLY-TRAC

TOP & SIDE MOUNT BRACKETS

## HARDWARE



## RAILS

1 1/2" SYSTEMS

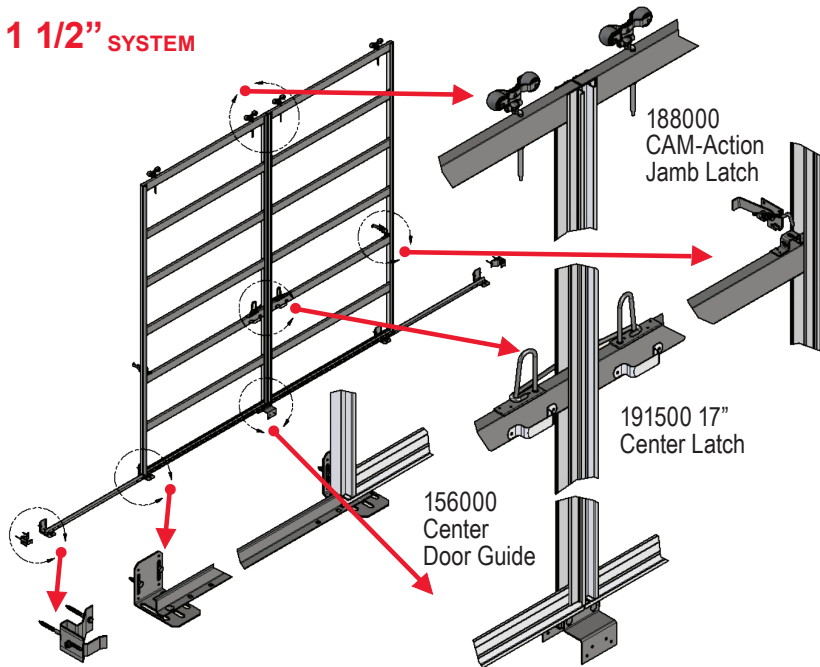


3 1/2" SYSTEMS

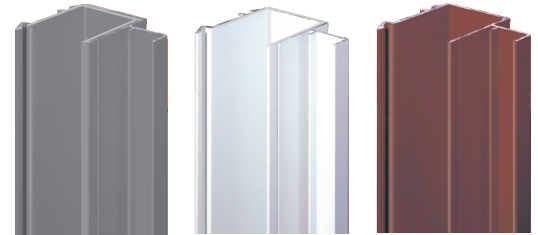
**PLYCO**<sup>TM</sup>  
CORPORATION  
ELKHART LAKE, WI • 800.558.5895

# SLIDE DOOR COMPONENTS KITS - TRACK - PRICING

**1 1/2" SYSTEM**



- Pre-finished aluminum verticals
- Steel box girts
- All-metal guide systems



**QUAKER GRAY**

**WHITE**

**BROWN**



**EVERGREEN**

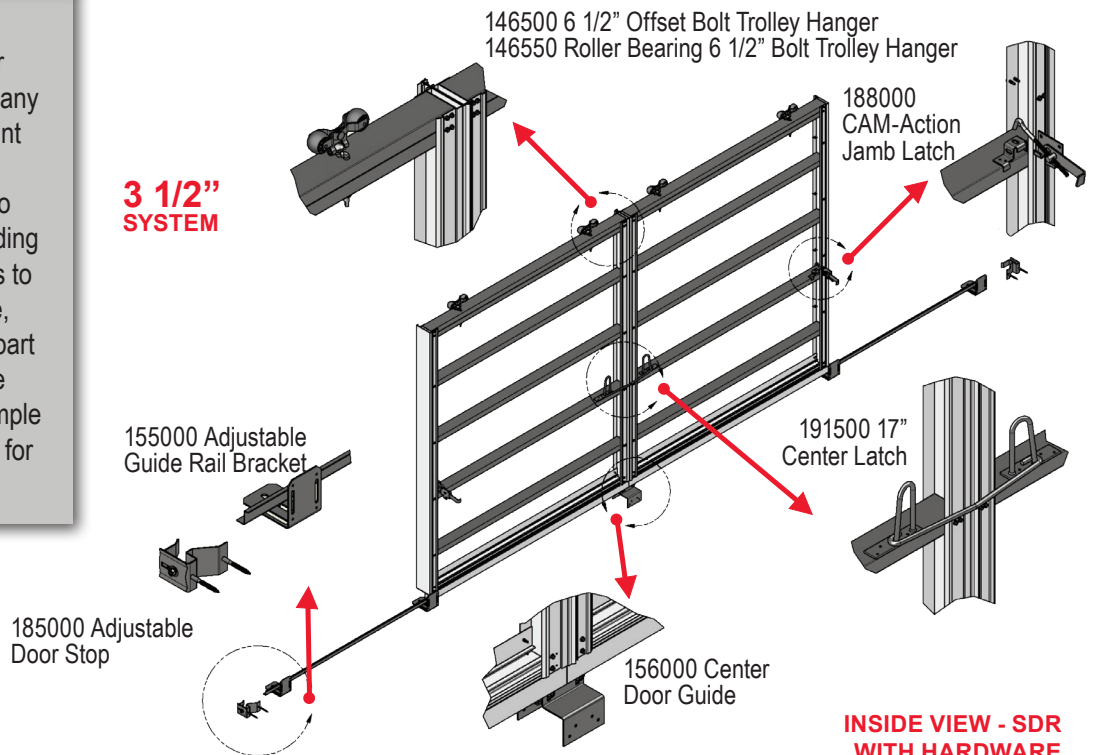


**BLACK**

**SDR KITS**

Slide door components can be ordered individually for stock allowing for greater flexibility for walk in customers to make any size needed. The downside is the amount of inventory needed to carry as well as potentially stocking only larger lengths to ensure all sizes can be covered but leading to scrap or the need to cut down lengths to fit. However with a three week lead time, Plyco can supply slide door "kits". One part number is entered which includes all the items needed for the complete door. Simple and easy. Saves you time and the need for large inventories.

**3 1/2" SYSTEM**



**INSIDE VIEW - SDR WITH HARDWARE**