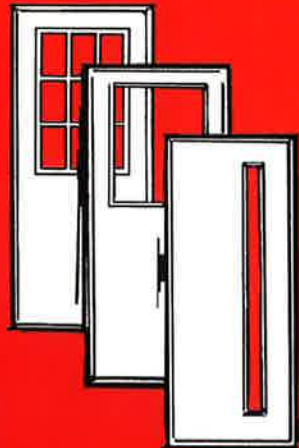


**SERIES
92**

COMMERCIAL DOOR

- Pre-Hung with 2-way swing capability
- Full Thermal Break
- Pre-Finished
- Maintenance Free
- Handicap approved threshold



PLYCO

- 16 Gauge Steel Jamb in 4 $\frac{1}{4}$ " , 6 $\frac{1}{4}$ " & 8 $\frac{1}{4}$ " Widths
- Full 1 $\frac{3}{4}$ " Thick 24 Gauge Insulated Panel
- 3 Heavy Duty 4 $\frac{1}{2}$ " Steel Hinges
- Full Thermal Breaks in Jamb & Panel

Due to Plyco Corporation's on going commitment to product improvement, we reserve the right to change, without notice, product specifications, availability, prices and conditions of sale.

Products are shown with options, please contact your representative.



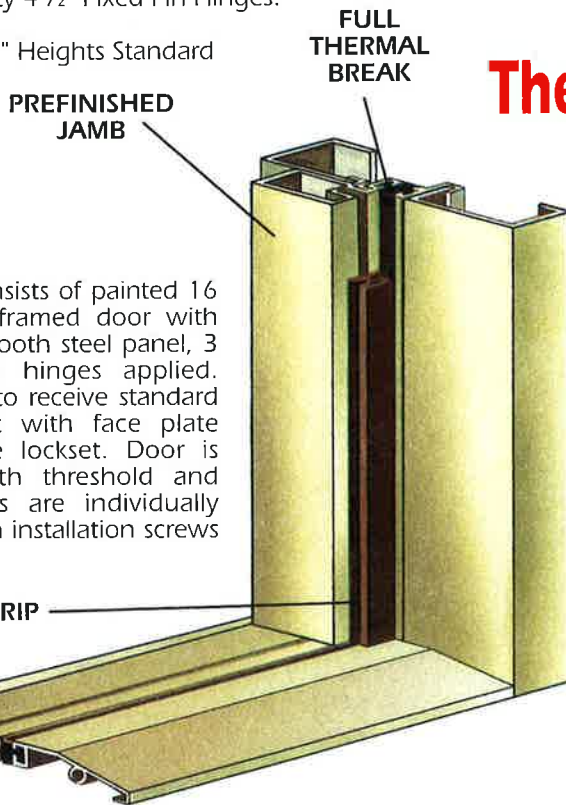
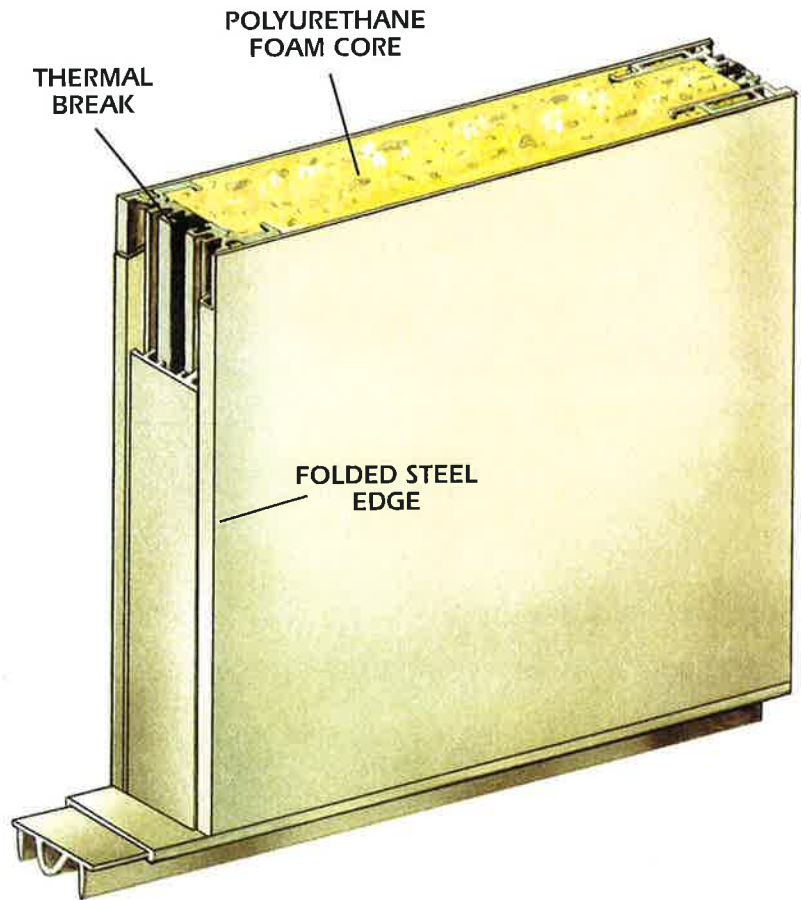
Prefinished Insulated Door Systems

Today's Service Door Answer for Heavy-Duty Construction Applications.

Designed for Use in Metal Frame or Wood Frame Construction.

Polyurethane Foam Core - poured in place for superior insulating quality - 11.53 R-Factor.

- 4 1/4" - 6 1/4" - 8 1/4" Pre-Finished Pre-Hung Frame System with Code Approved Threshold
- 2-Way Swing - Install in swinging or out swing w/out modification.
- Specify Swing - RH or LH
- 16 Gauge Galvanized Pre-Painted Steel Jamb with Thermally Broken Aluminum Stop.
- Pre-Finished White or Bronze Insulated Door Panels - 24 Gauge with Thermal Break.
- Individually Cartoned
- 3 Heavy-Duty 4 1/2" Fixed Pin Hinges.
- 6'8" and 7'0" Heights Standard

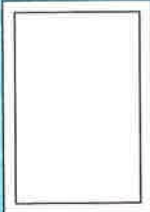
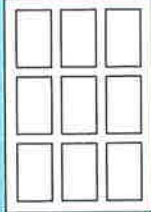

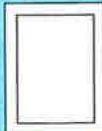
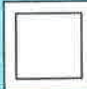


Basic unit consists of painted 16 gauge steel framed door with 24 gauge smooth steel panel, 3 fixed pinned hinges applied. Panel drilled to receive standard 2 3/4" backset with face plate plunger style lockset. Door is complete with threshold and header. Units are individually cartoned with installation screws included

Commercial Thermal Break Door



LITE OPTIONS
ALL UNITS WHITE ALUMINUM FRAMED

		
22" x 36"	22" x 36" 9 Lite	7" x 64"
		INSULATED 1" THERMO PANE
20" x 24"	16" x 16"	



Elkhart Lake, WI 53020

USA 800-558-5895
Fax 800-257-5926

INTERNATIONAL 920-876-3611
Fax 920-876-3527

Distributed by



Construction Details

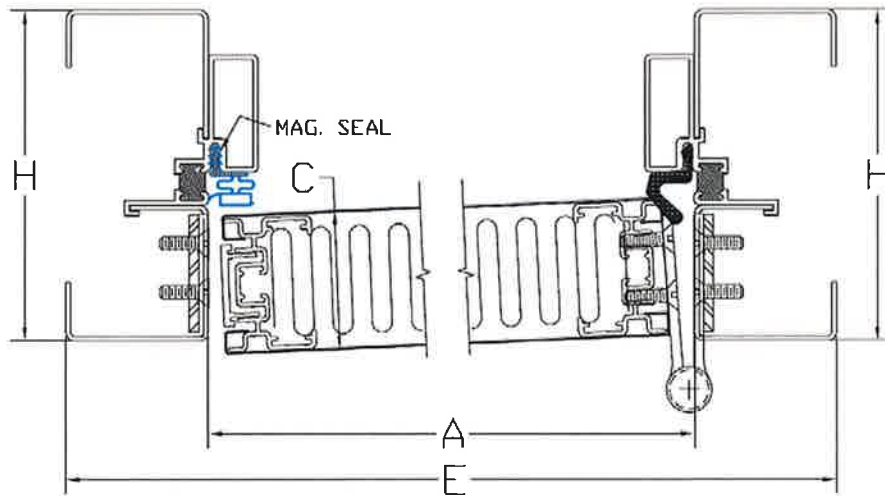
Series 92 Premium Commercial Door

Pre-Hung • Insulated • Full Thermal Break • Full Weather Stripping • Designed for ADA Code

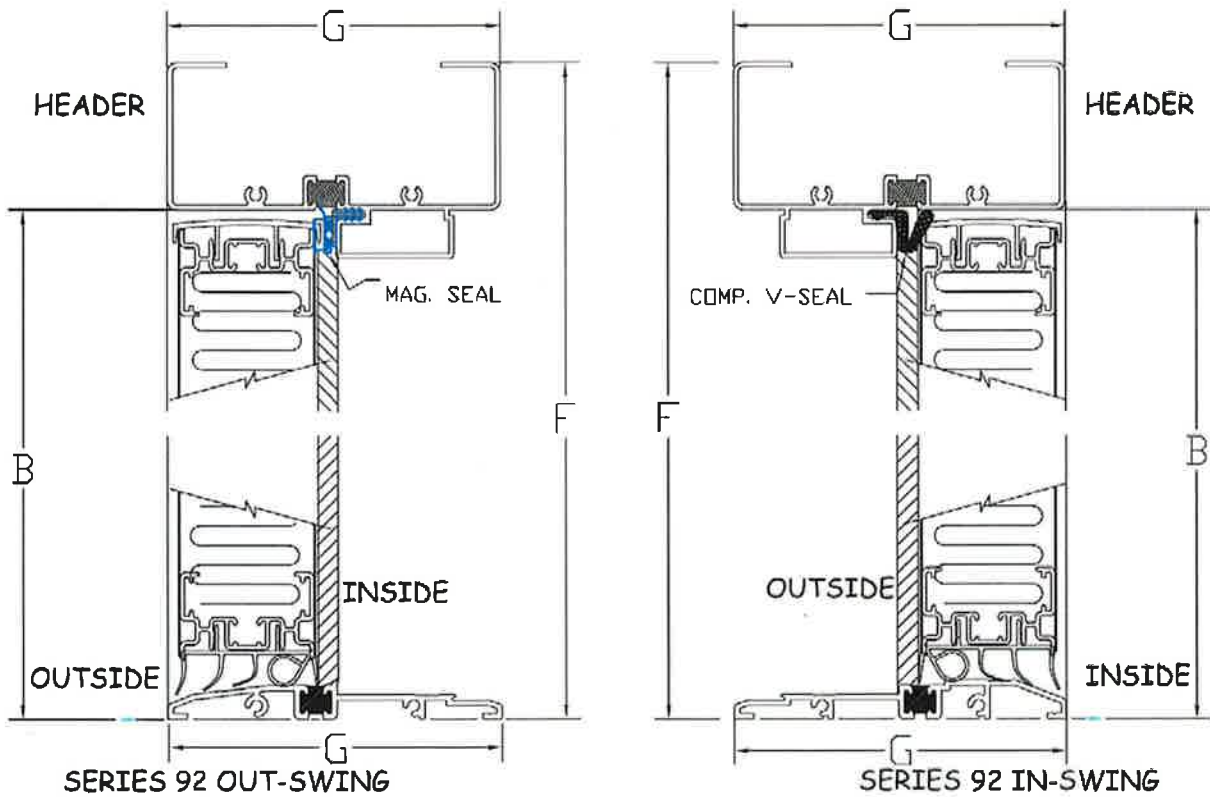
STOCK NUMBER	DOOR				FRAME				TOTAL WEIGHT
	A	B	C	D	E	F	G	H	
W-92TB-3068-4	36 5/16"	80"	1 3/4"	40"	40"	83 3/16"	4 1/4"	4 1/4"	104#
W-92TB-3068-6	36 5/16"	80"	1 3/4"	40"	40"	83 3/16"	6 1/4"	6 1/4"	106#
W-92TB-3068-8	36 5/16"	80"	1 3/4"	40"	40"	83 3/16"	8 1/4"	8 1/4"	108#
W-92TB-3070-4	36 5/16"	84"	1 3/4"	42"	40"	87 3/16"	4 1/4"	4 1/4"	110#
W-92TB-3070-6	36 5/16"	84"	1 3/4"	42"	40"	87 3/16"	6 1/4"	6 1/4"	112#
W-92TB-3070-8	36 5/16"	84"	1 3/4"	42"	40"	87 3/16"	8 1/4"	8 1/4"	114#
W-92TB-3668-4	42 5/16"	80"	1 3/4"	40"	46"	83 3/16"	4 1/4"	4 1/4"	121#
W-92TB-3668-6	42 5/16"	80"	1 3/4"	40"	46"	83 3/16"	6 1/4"	6 1/4"	123#
W-92TB-3668-8	42 5/16"	80"	1 3/4"	40"	46"	83 3/16"	8 1/4"	8 1/4"	125#
W-92TB-3670-4	42 5/16"	84"	1 3/4"	42"	46"	87 3/16"	4 1/4"	4 1/4"	127#
W-92TB-3670-6	42 5/16"	84"	1 3/4"	42"	46"	87 3/16"	6 1/4"	6 1/4"	129#
W-92TB-3670-8	42 5/16"	84"	1 3/4"	42"	46"	87 3/16"	8 1/4"	8 1/4"	131#
W-92TB-4068-4	48 5/16"	80"	1 3/4"	40"	52"	83 3/16"	4 1/4"	4 1/4"	138#
W-92TB-4068-6	48 5/16"	80"	1 3/4"	40"	52"	83 3/16"	6 1/4"	6 1/4"	140#
W-92TB-4068-8	48 5/16"	80"	1 3/4"	40"	52"	83 3/16"	8 1/4"	8 1/4"	142#
W-92TB-4070-4	48 5/16"	84"	1 3/4"	42"	52"	87 3/16"	4 1/4"	4 1/4"	144#
W-92TB-4070-6	48 5/16"	84"	1 3/4"	42"	52"	87 3/16"	6 1/4"	6 1/4"	146#
W-92TB-4070-8	48 5/16"	84"	1 3/4"	42"	52"	87 3/16"	8 1/4"	8 1/4"	148#
W-92TB-6068-4	72 5/16"	80"	1 3/4"	40"	78 1/16"	83 3/16"	4 1/4"	4 1/4"	204#
W-92TB-6068-6	72 5/16"	80"	1 3/4"	40"	78 1/16"	83 3/16"	6 1/4"	6 1/4"	206#
W-92TB-6068-8	72 5/16"	80"	1 3/4"	40"	78 1/16"	83 3/16"	8 1/4"	8 1/4"	208#
W-92TB-6070-4	72 5/16"	84"	1 3/4"	42"	78 1/16"	87 3/16"	4 1/4"	4 1/4"	210#
W-92TB-6070-6	72 5/16"	84"	1 3/4"	42"	78 1/16"	87 3/16"	6 1/4"	6 1/4"	212#
W-92TB-6070-8	72 5/16"	84"	1 3/4"	42"	78 1/16"	87 3/16"	8 1/4"	8 1/4"	214#
W-92TB-7068-4	84 5/16"	80"	1 3/4"	40"	90 1/16"	83 3/16"	4 1/4"	4 1/4"	224#
W-92TB-7068-6	84 5/16"	80"	1 3/4"	40"	90 1/16"	83 3/16"	6 1/4"	6 1/4"	226#
W-92TB-7068-8	84 5/16"	80"	1 3/4"	40"	90 1/16"	83 3/16"	8 1/4"	8 1/4"	228#
W-92TB-7070-4	84 5/16"	84"	1 3/4"	42"	90 1/16"	87 3/16"	4 1/4"	4 1/4"	230#
W-92TB-7070-6	84 5/16"	84"	1 3/4"	42"	90 1/16"	87 3/16"	6 1/4"	6 1/4"	232#
W-92TB-7070-8	84 5/16"	84"	1 3/4"	42"	90 1/16"	87 3/16"	8 1/4"	8 1/4"	234#
W-92TB-8068-4	96 5/16"	80"	1 3/4"	40"	102 1/16"	83 3/16"	4 1/4"	4 1/4"	242#
W-92TB-8068-6	96 5/16"	80"	1 3/4"	40"	102 1/16"	83 3/16"	6 1/4"	6 1/4"	244#
W-92TB-8068-8	96 5/16"	80"	1 3/4"	40"	102 1/16"	83 3/16"	8 1/4"	8 1/4"	246#
W-92TB-8070-4	96 5/16"	84"	1 3/4"	42"	102 1/16"	87 3/16"	4 1/4"	4 1/4"	248#
W-92TB-8070-6	96 5/16"	84"	1 3/4"	42"	102 1/16"	87 3/16"	6 1/4"	6 1/4"	250#
W-92TB-8070-8	96 5/16"	84"	1 3/4"	42"	102 1/16"	87 3/16"	8 1/4"	8 1/4"	252#

Series 92 Premium Commercial Door

Pre-Hung • Insulated • Full Thermal Break • Full Weather Stripping • Designed for ADA Code



HORIZONTAL SECTIONS THROUGH
OUT-SWING AND IN-SWING JAMBS



VERTICAL SECTIONS THROUGH
THRESHOLD AND HEADER